

CENTRO™ OFFICE

BDI



CENTRO™ OFFICE Create an elegant and functional workspace with CENTRO. Providing generous work surfaces and multiple options for file and supply storage, CENTRO can be assembled in a variety of configurations for office spaces large or small. The collection features grey, micro-etched glass tops, white painted oak veneers, and white powder-coated steel details.

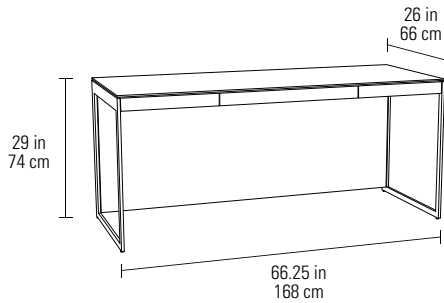
CENTRO™ OFFICE

DESIGN **MATTHEW WEATHERLY**

6401 DESK

- Integrated system drawer includes keyboard/mouse tray and storage for rechargeable items.
- Magnetically attached front and back panels tilt or are removable for easy access to concealed wiring. When placed against a wall, the back panel can be left off for direct access to wall outlets.
- A power strip can be attached with the included magnetic mounting kit (power strip not included).

Overall Dimensions (H x W x D) 29 x 66.25 x 26 in | 74 x 168 x 66 cm
Top Capacity 75 lbs | 34 kg
Weight 113 lbs | 51 kg

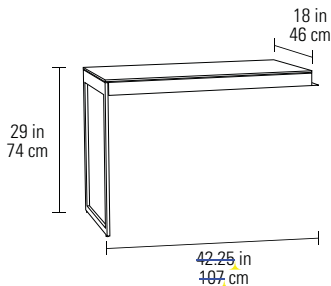


CENTRO Desk 6401 includes a multi-function drawer lined with non-slip material to keep a keyboard, mouse and rechargeable electronics in place.

6402 RETURN

- Micro-etched, grey glass top provides a smooth work surface.
- Can be attached to other CENTRO components with sturdy, steel connections.
- Attaches to CENTRO Desk 6401, 3-Drawer File Cabinet 6413, Lateral File Cabinet 6416, and Multifunction Cabinet 6417.

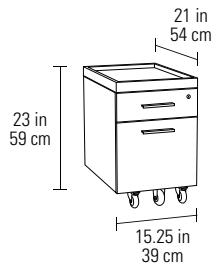
Overall Dimensions (H x W x D) 29 x 42.25 x 18 in | 74 x 107 x 46 cm
Top Capacity 75 lbs | 34 kg
Weight 38 lbs | 17 kg



6407 MOBILE FILE PEDESTAL

- File pedestal with locking storage drawer and letter or legal file drawers.
- Top storage tray pulls out for easy access to regularly used items.
- Pedestal rest on locking casters.
- Designed to fit neatly under the CENTRO Desk 6401.

Overall Dimensions (H x W x D) 23 x 15.25 x 21 in | 59 x 39 x 54 cm
Weight 60 lbs | 27 kg

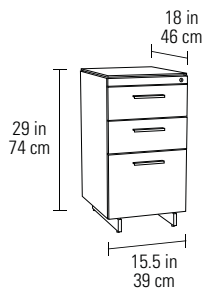


Mobile File Pedestal 6407's top tray slides out for easy access to everyday supplies.

6414 3-DRAWER FILE CABINET

- Micro-etched glass top beautifully extends the workspace.
- Integrated lock keeps contents secure.
- Includes two storage drawers and a file drawer for hanging letter or legal-sized folders.

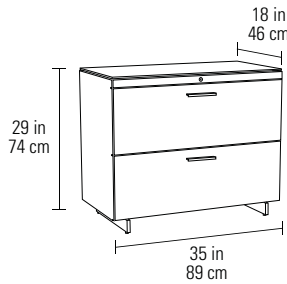
Overall Dimensions (H x W x D) 29 x 15.5 x 18 in | 74 x 39 x 46 cm
Weight 85 lbs | 39 kg



6416 LATERAL FILE CABINET

- Locking file cabinet offers secure storage for legal and/or letter-sized hanging files.
- For safety, drawers include interlock anti-tip hardware, allowing only one drawer to open at a time. A rear counterweight provides stability.

Overall Dimensions (H x W x D) 29 x 35 x 18 in | 74 x 89 x 46 cm
File Drawer Capacity 65 lbs | 29.5 kg
Weight 152 lbs | 69 kg

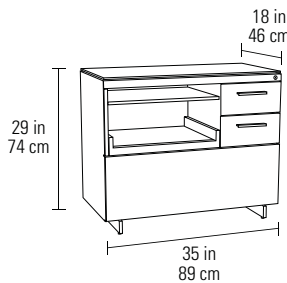


File drawers can accommodate hanging letter and/or legal files.

6417 MULTIFUNCTION CABINET

- Perfect all-purpose piece for a small office.
- Integrated lock keeps contents secure.
- Open compartment includes a pullout printer tray and an adjustable shelf.
- Includes two storage drawers for supplies and a file drawer for legal and/or letter-sized hanging files.

Overall Dimensions (H x W x D) 29 x 35 x 18 in | 74 x 89 x 46 cm
Printer Compartment (H x W x D) 10.7 x 20 x 17.2 in | 27.3 x 50.8 x 43.9 cm
File Drawer Capacity 65 lbs | 29.5 kg
Weight 141 lbs | 64 kg





CENTRO Desk 6401 with Mobile File Pedestal 6407 and Multifunction Cabinet 6417.



CENTRO Return 6402 can attach to any of the cabinets to create a compact workstation.



Create a shared workspace by adding a CENTRO Return 6402 to either side of a cabinet.



The CENTRO Return 6402 attaches to the Desk 6401 and Cabinets 6414, 6416 and 6417 to create a workspace of any size.



CENTRO Office Collection

SATIN WHITE/
GREY GLASS TOP



For the most up-to-date product specifications, visit www.bdiusa.com. BDI's products are protected by US patent, international patent, trade dress, and/or copyright laws. "Centro" and BDI are trademarks of Becker Designed Inc. All rights reserved. Refer to current price list or contact BDI for specific model and finish availability. Materials and specifications subject to change without notice. BDI products are packaged with recyclable materials. ©2015, BDI