



Meet the SOL bow lamp, an extension of the SOL series. Produced in carbon fiber, SOL bow lamp is undoubtedly a product that is sturdy, every inch resilient in structure and ideally completing the original idea from designer.

The floor lamp now is available in a small size. The addition of the "Retractable Tube Structure" allows you to adjust the height of the lamp to your liking, and the built-in "Sensor Dimming Function" provides the right amount of light for different scenarios.

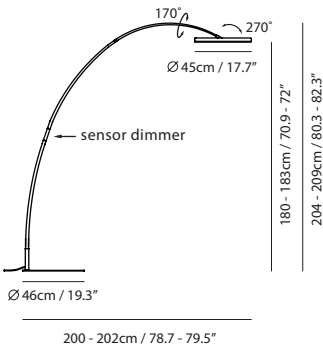
By Chen, Chao ChengKuo 陳昭成
Keng Dian 郭庚典



matt black + copper



matt black + copper



SOL Mega Floor

Model
SLD-450FLE

Material
carbon fiber, metal, aluminum, PP

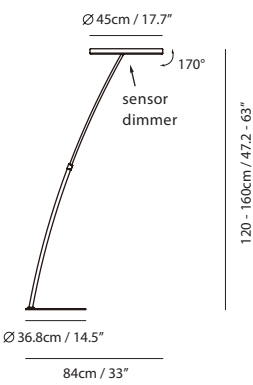
Light Source
LED 21W 2700K CRI90 802lm

Feature
optical sensor dimmer

Weight
15.3kg / 33.7lb

Cord
235cm / 92.5"

Color
● matt black + copper



Sol Floor

Model
SLD-450FBE

Material
metal, aluminum, PP

Light Source
LED 21W 2700K CRI90 802lm

Feature
optical sensor dimmer

Weight
7.2kg / 15.9lb

Cord
200cm / 78.7"

Color
● matt black + copper