



ZHE is inspired by a wood from the Orient that is hard as rock. The metal lampshade is meticulously and deliberately hand welded together to resemble a cluster or rocks. Look closely and notice how each metal plate is a bit asymmetrical yet they all fit seamlessly together. Wooden stoppers under each frosted diffuser not only introduce warm elements of the wood, but functionally they soften up the overall light source. ZHE exemplifies subtle illumination in a grand scale.

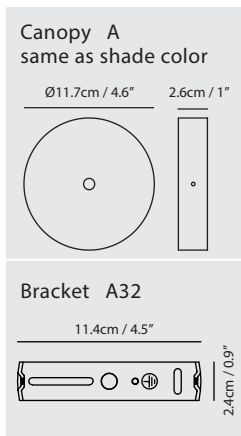
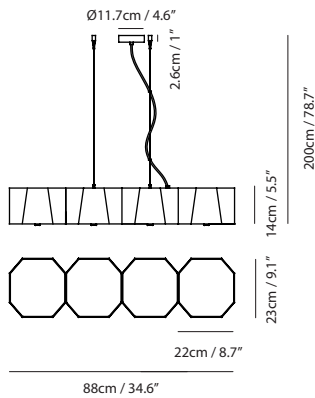
By Li, Hui Lun 李慧倫



matt black



matt white



**ZHE Pendant P4**

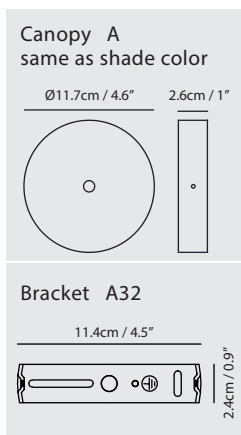
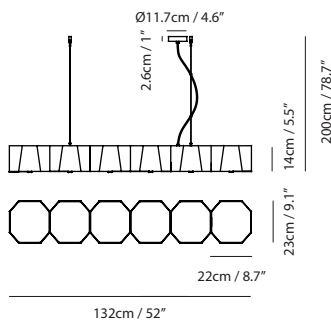
**Model**  
SQ-2322MPL4

**Material**  
steel, glass, wood

**Light Source**  
E26 4 x Max 100W

**Weight**  
7.6kg / 16.7lb

**Color**  
● matt black  
○ matt white



**ZHE Pendant P6**

**Model**  
SQ-2322MPL6

**Material**  
steel, glass, wood

**Light Source**  
E26 6 x Max 100W

**Weight**  
10.8kg / 23.8lb

**Color**  
● matt black  
○ matt white