

CLAMP TABLE

DESCRIPTION

Designed for simplicity and engineered for sustainability, Clamp combines the beauty of wood with the brilliance of LED technology. Clamp is comprised of 3 main components that work together to provide infinite adjustment, while focusing warm, diffused light where needed most. Available in clamp mount, freestanding, mini and floor models in White Oak and Walnut.

FIXTURE TYPE

Table

LIGHT SOURCE

Clamp/Clamp FS: (108x) High output LED array

Clamp Mini: (60x) High output LED array

PRODUCT CODES

Clamp (Walnut):	CLAM CLP WLN
Clamp (White Oak):	CLAM CLP WHT OAK
Clamp FS (Walnut):	CLAM FS WLN
Clamp FS (White Oak):	CLAM FS WHT OAK
Clamp FS Base (White):	CLAM BASE TBL WHT
Clamp Mini (Walnut):	CLAM MINI WLN
Clamp Mini (White Oak):	CLAM MINI WHT OAK

LIGHT CONTROL

Hi-low dim control

FEATURES

360° arm rotation

Advanced LED array eliminates multiple shadows

Ships flat-packed

SPECIFICATIONS

Voltage: 120-240V 50-60Hz

Power Consumption: 9W (Clamp Mini: 6W)

Color temperature: 3000K

Luminosity: 485 Lumens (Clamp Mini: 325 Lumens)

Luminaire efficacy: 54 Lumens/Watt

Color Rendition Index: 85 CRI

Title 20 compliant

50K hour lifespan

Cable length: 8' (244cm)

Global multi-plug adapter available

1 year warranty

CERTIFICATIONS

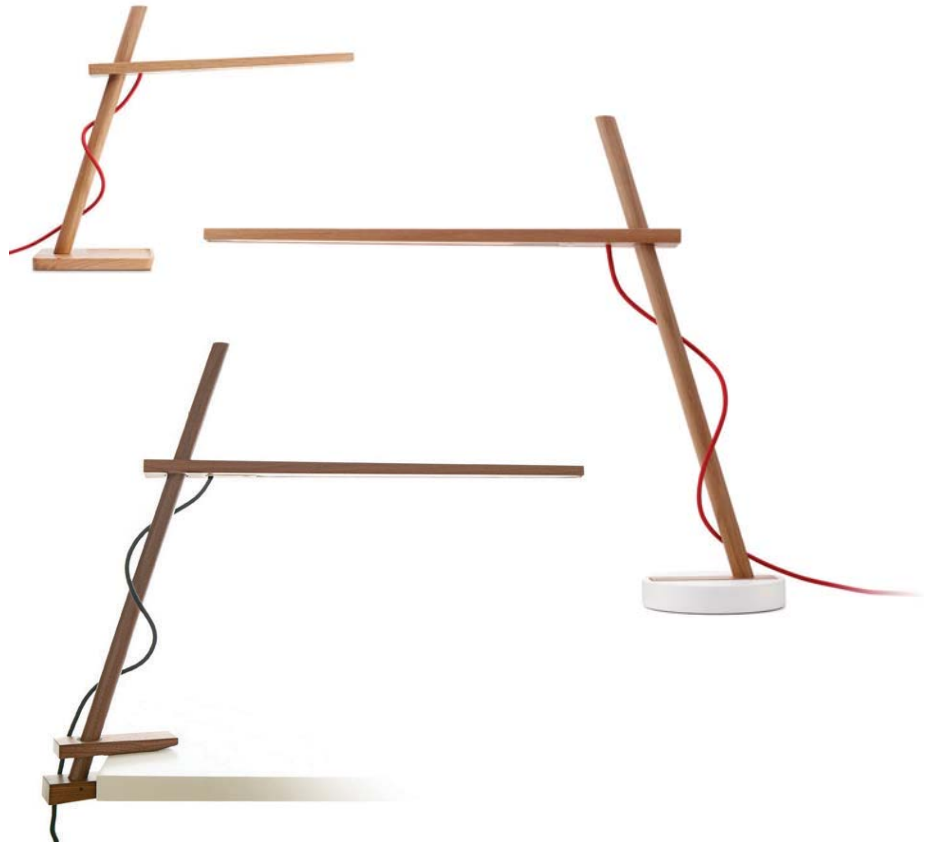


PACKAGING WEIGHT AND DIMENSIONS

CLAMP:	4.45LBS	32" X 9" X 2.5"
	2KGS	81cm X 23cm X 6cm
CLAMP FS BASE:	8.3LBS	11.5" X 10.5" X 2.5"
	3.8KGS	29cm X 27cm X 6cm
CLAMP MINI:	6.65LBS	22" X 11" X 2.5"
	3KGS	56cm X 28cm X 6cm

NOTES

Custom requests can be considered on volume orders



FINISHES

CLAMP BODY



WHITE OAK/
RED



WALNUT/
BLACK

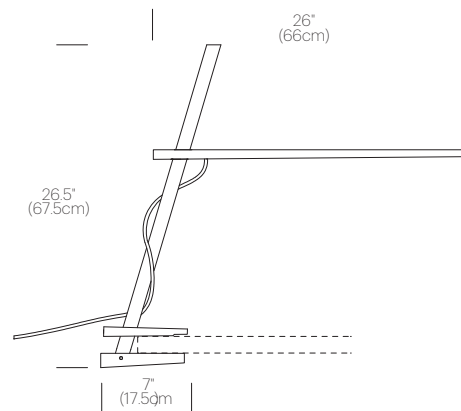
FREESTANDING BASE



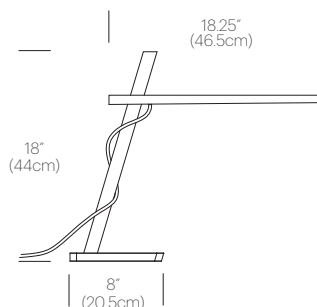
WHITE

DIMENSIONS

CLAMP



CLAMP MINI



CLAMP FREESTANDING

