

LANA TABLE

DESCRIPTION

Inspired by a fusion of craft and advanced manufacturing, the Lana series is designed to adapt to any space. Lana is comprised of a unique magnetic felt shade that provides limitless attachment possibilities. The new collection debuts with a magnetic LED module which guarantees maximum freedom allowing the light to be attached to any ferrous surface bringing three distinct personalities: wall, table, and floor (with adjustable pedestal).

FIXTURE TYPE

Table

LIGHT SOURCE

LED High-Output chip on board

PRODUCT CODES

Table SM White Stone/Grey:	LANA SML TBL STN/GRY WHT
Table SM White Charcoal/Grey:	LANA SML TBL CHR/GRY WHT
Table SM White Arctic Blue/Grey:	LANA SML TBL ARCT/GRY WHT
Table SM White Moss/Grey:	LANA SML TBL MOSS/GRY WHT
Table SM White Plum/Grey:	LANA SML TBL PLUM/GRY WHT

Table SM Chrome Stone/Grey:	LANA SML TBL STN/GRY CRM
Table SM Chrome Charcoal/Grey:	LANA SML TBL CHR/GRY CRM
Table SM Chrome Arctic Blue/Grey:	LANA SML TBL ARCT/GRY CRM
Table SM Chrome Moss/Grey:	LANA SML TBL MOSS/GRY CRM
Table SM Chrome Plum/Grey:	LANA SML TBL PLUM/GRY CRM

Table LG White Stone/Grey:	LANA LRG TBL STN/GRY WHT
Table LG White Charcoal/Grey:	LANA LRG TBL CHR/GRY WHT
Table LG White Arctic Blue/Grey:	LANA LRG TBL ARCT/GRY WHT
Table LG White Moss/Grey:	LANA LRG TBL MOSS/GRY WHT
Table LG White Plum/Grey:	LANA LRG TBL PLUM/GRY WHT

Table LG Chrome Stone/Grey:	LANA LRG TBL STN/GRY CRM
Table LG Chrome Charcoal/Grey:	LANA LRG TBL CHR/GRY CRM
Table LG Chrome Arctic Blue/Grey:	LANA LRG TBL ARCT/GRY CRM
Table LG Chrome Moss/Grey:	LANA LRG TBL MOSS/GRY CRM
Table LG Chrome Plum/Grey:	LANA LRG TBL PLUM/GRY CRM

LIGHT CONTROL

Full range dim control 100%-10% (optical switch)

FEATURES

360° shade rotation
 Unlimited height adjustability
 Magnetic attachment

SPECIFICATIONS

Voltage: 120-240V 50-60Hz
 Power consumption: 5.5W
 Color temperature: 3000K
 Luminosity: 350 Lumens
 Luminaire efficacy: 64 Lumens/Watt
 Color Rendition Index: 90+ CRI
 50K Hour lifespan
 Cable length: 9' (274cm)
 1 year warranty
 Patent pending

CERTIFICATIONS



PACKAGING WEIGHT AND DIMENSIONS

Lana Table SM:	8.6LBS	12" X 9.5" X 17"
	4KGS	30cm X 24cm X 52cm
Lana Table LG:	10.9LBS	13.5" X 11" X 22"
	5KGS	34cm X 28cm X 56cm

NOTES

Custom requests can be considered on volume orders



SHADE FINISHES



STONE/
GREY



CHARCOAL/
GREY



ARCTIC BLUE/
GREY



MOSS/
GREY

BASE FINISHES



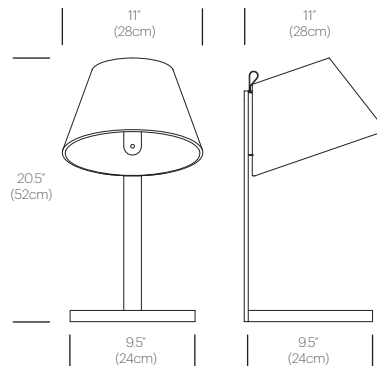
WHITE



CHROME

DIMENSIONS

LANA TABLE SM



LANA TABLE LG

