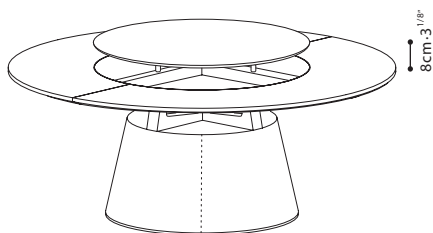
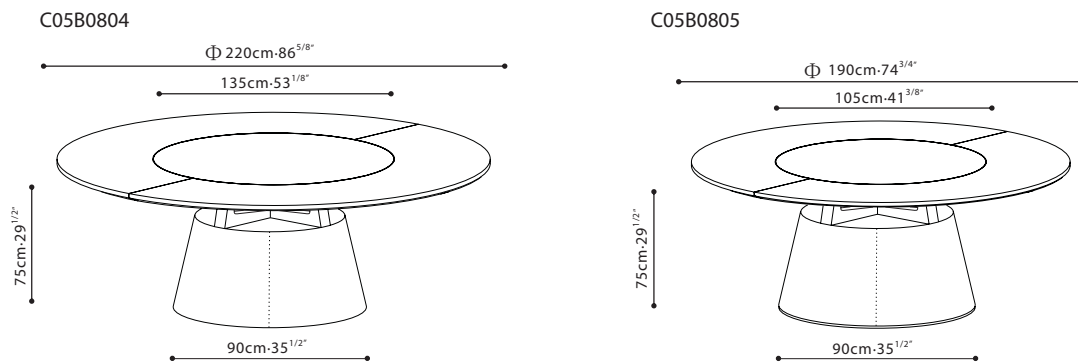


SPECS



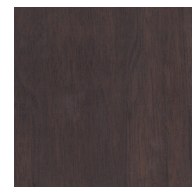
UNITY L/ TOP: Available in Brown Walnut veneer. FRAME: Support base is constructed with solid Ash Wood and finished in Brown Walnut. Base is produced with MDF and plywood reinforcements, upholstered in Black Eco Leather, (FC-11). Lazy Susan on Unity Tables C05B0804 and C05B0805 come with an electric lift capability for easy cleaning purposes.



Lift mechanism schematic

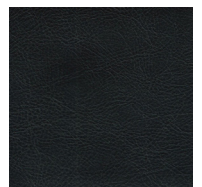
*Unity C05B0804/05 comes with a remote-controlled lift mechanism which allows the Lazy Susan to be lifted mechanically for easy cleaning. The cord is detachable, 3 meters long. 2*AAA battery is required for the handheld remote which controls the lift mechanism. A US adaptor is required and not included. (Input voltage is 110-240V, which means a voltage convertor is not required for standard US outlets)

TOP:



Brown Walnut

BASE:

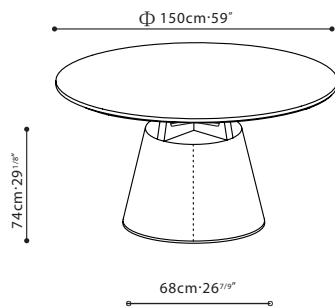


FC-11

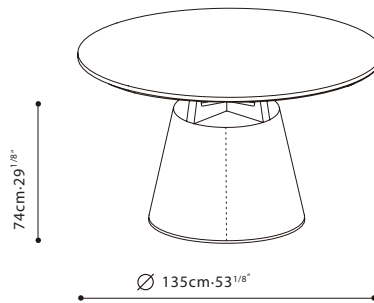


UNITY S/ TOP: Available in Brown Walnut veneer, Carrara Marble or Galaxy Grey Marble. FRAME: Support base is constructed with solid Ash Wood and finished in Brown Walnut. Base is produced with MDF and plywood reinforcements, upholstered in Eco Leather, (FC-11 or FC-08). LAZY SUSAN: Optional Lazy Susan, C07B0807, is finished in Brown Walnut, and is available for Unity Table C05B0803 and C05B0806.

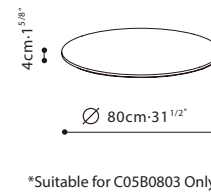
C05B0803



C05B0806

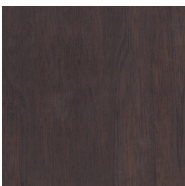


C07B0807

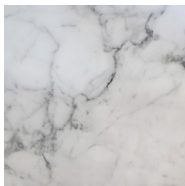


*Suitable for C05B0803 Only

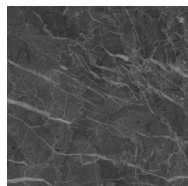
TOP:



Brown Walnut

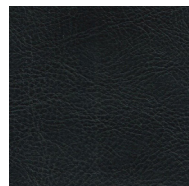


Carrara Marble



Galaxy Grey Marble

BASE:



FC-11



FC-08

*Natural marble pattern may vary.