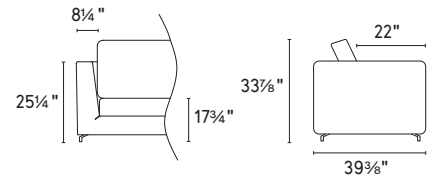


Carré

design by Stefano Spessotto



CS3410



This item can be ordered only via e-mail

Technical specifications
see page 92



FABRIC	Frame	Seat cushions	Backrest cushions
Removable	●	●	●
Not removable	-	-	-

LEATHER / BEDFORD	Frame	Seat cushions	Backrest cushions
Removable	-	●	●
Not removable	●	-	-

MODULARITY: All the modular elements are designed to be placed side by side. For any request for products that are free standing, shaped and finished on the sides, please contact the Sales Dept. to verify feasibility and prices.

AVAILABLE FOOT TYPES



Wood

Smoke P12
Canaletto Walnut P1GW
Matt black P15L

H 5 1/8"



Metal

Matt black P15

H 5 1/8"

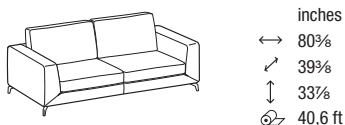
NOTES



1. Throw pillows are not included in the model.
2. All foot types have the same price.
3. In case of fabric cover, please specify piping colour. If not specified, it will be of the same colour of the cover. Leather piping is not available on fabric. In case of leather covers, piping will be in leather and of the same colour of the cover.
4. Coordinated ottoman available.
5. The versions with lateral top have holes to accommodate the tray DTZV001. In the order indicate the finish of the tray.



DTD200G
2-ER MAXI SOFA



DTD300
3-ER SOFA



DTD300M
3-ER MAXI SOFA



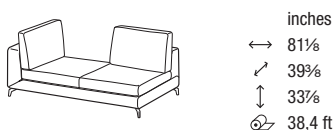
DTL200GS - DTL200GD
2-ER MAXI LATERAL ELEMENT



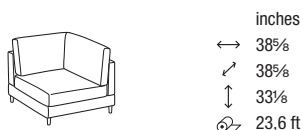
DTL300S - DTL300D
3-ER LATERAL ELEMENT



DTL300MS - DTL300MD
3-ER MAXI LATERAL ELEMENT



DTD3D00S - DTD3D00D
DAY BED



DTA1Q00
SQUARE CORNER ELEMENT



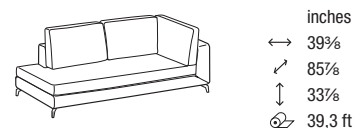
DTC1000
1-ER CENTRAL ELEMENT



DTH2000S - DTH2000D
CHAISE LONGUE



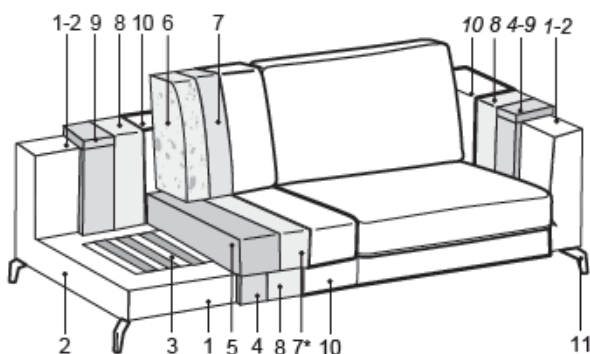
DTH200MS - DTH200MD
MAXI CHAISE LONGUE



DTL3A00S - DTL3A00D
LATERAL CORNER ELEMENT



DTU1000
OTTOMAN



1. Solid wood
2. Chipboard panel
3. Propylene elastic belts
4. Polyurethane foam D21
5. Soft polyurethane foam D35
6. Feather Mix
7. Cotton canvas or Resin and Velveteen cover*
8. Cover in velveteen and synthetic fiber
9. Polyurethane foam D40
10. Cover
11. Metal/Wooden foot