



SIRCLE, a symbolization merged Square and Circle, inspired by the East aesthetic philosophy, the circular light ball just like a soft tender mind leans on the rigid prudent frame, chemically shaped a harmonious feature with its flexible body inside-out. Meanwhile, the fantastic performance of light through the opal mouth-blown glass, spreading the beauty of moonlight all over the space.

By Li, Hui Lun 李慧倫





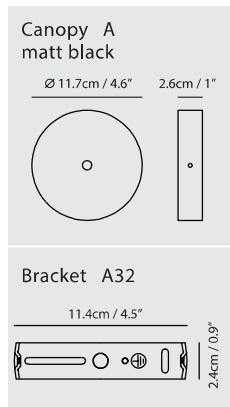
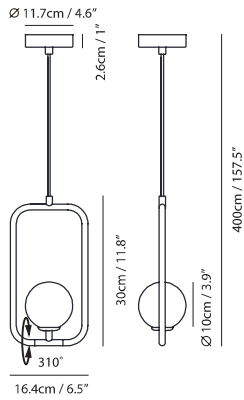
champagne gold



matt black



copper



Sircle Pendant S

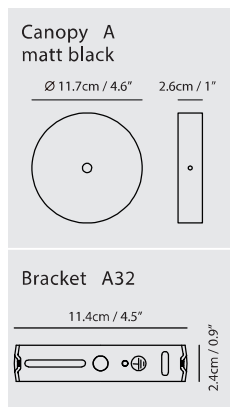
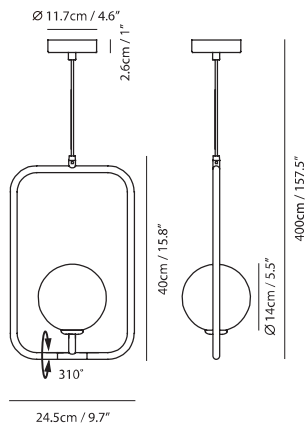
Model
SG-100PV

Material
mouth-blown glass, steel

Light Source
G9 1 x 3W LED 2700K CRI90

Weight
0.8kg / 1.8lb

- Color**
- matt opal + champagne gold
 - matt opal + matt black
 - matt opal + copper



Sircle Pendant L

Model
SG-140PV

Material
mouth-blown glass, steel

Light Source
G9 1 x 4W LED 2700K CRI90

Weight
1.6kg / 3.5lb

- Color**
- matt opal + champagne gold
 - matt opal + matt black
 - matt opal + copper