



With its clean lines and graceful proportions, the HUAN lamp is a timeless piece that blends modern aesthetics with a touch of nostalgia. Its round, circular frame draws inspiration from the Moon Gate, a classic architectural element found in oriental gardens. The hemisphere lamp shade harmoniously integrates with the frame, infusing warmth and serenity into any interior. Available in four elegant color combinations and two versatile sizes, the HUAN features a precisely circular frame finished in either our signature Champagne Gold or Chrome, ensuring an enduring, cozy glow.

By Chang, Huan Rou 張幻柔



matt black + champagne gold



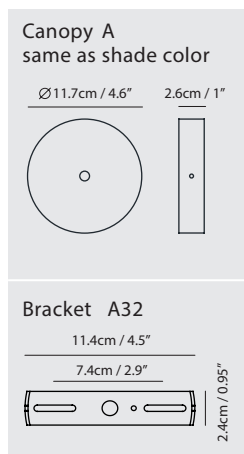
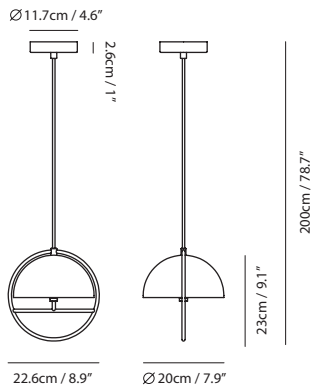
matt white + champagne gold



pearl cocoa + chrome



oatmeal + chrome



Huan Pendant PS

Model
SG-226MP

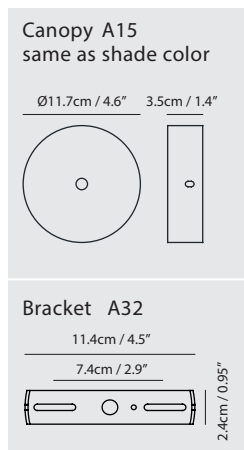
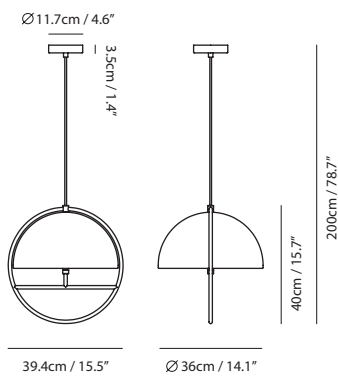
Material
steel, glass

Light Source
G9 LED 2 x 5W 2700K

Weight
1.5kg / 3.3lb

Color

- matt black + champagne gold
- matt white + champagne gold
- pearl cocoa + chrome
- oatmeal + chrome



Huan Pendant PL

Model
SQ-394MP

Material
steel, glass

Light Source
E26 LED 2 X Max 15W

Weight
3.2kg / 7.1lb

Color

- matt black + champagne gold
- matt white + champagne gold
- pearl cocoa + chrome
- oatmeal + chrome