

# NIVÉL PENDANT

## DESCRIPTION

Redefining the future in pendant illumination, Nivel's pure and elegant silhouette features a colorful pallet of spun shade forms combined with an articulating flat panel LED light engine that pivots gracefully on axis to focus light downward or as a wall wash to provide seamless light control for any space. Nivel pendant can be suspended individually or in large multi-light clusters powered by a single hardwired canopy allowing the user to reposition the lights to any desired height, span and directionality. Available in 2 sizes: 15" (38cm) and 22" (56cm) and 6 powder coated finishes in matte white, Terracotta, Forest Green, Slate Blue, Espresso and textured black with choice of black or white fabric cord and ceiling canopy.

## FIXTURE TYPE

Pendant

## LIGHT SOURCE

LED Flat-Panel

## LIGHT CONTROL

Hard wired (Triac transformer) full-range dim  
ELV dimmer recommended

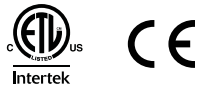
## FEATURES

45° shade tilt in two directions

## SPECIFICATIONS

Voltage : 120-240V 50/60Hz  
Power Consumption : 10.5W  
Color Temperature : 2700K  
Luminosity : 800 Lumens  
Luminaire efficacy : 76 Lumens/Watt  
Color Rendition Index: 90 CRI  
Title 20 compliant  
50k hour lifespan  
Cable length: 10' (305cm)

## CERTIFICATIONS



## FINISHES

### CORD



BLACK



WHITE

### SHADE



BLACK



WHITE



TERRACOTTA



FOREST



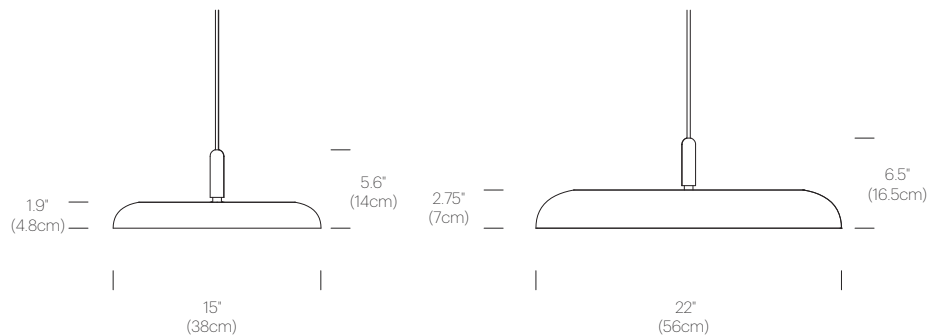
SLATE



ESPRESSO

## DIMENSIONS

### NIVÉL PENDANT



## PACKAGING WEIGHT AND DIMENSIONS

Nivel Pendant 15	7LBS	17" X 17" X 5"
	3KG	43cm X 43cm X 12cm
Nivel Pendant 22	11LBS	24" X 24" X 6"
	5KG	60cm X 60cm X 15cm

## NOTES

Custom requests can be considered on volume orders

**Pablo**

