

LINQ[®] BEDS

ADJUSTABLE MATTRESSES AND BED FRAMES



ADJUSTABLE MATTRESS



These mattresses have built in motors and can be treated as regular mattresses. Establish the configuration of your platform and frame based on your mattress height. Run the necessary wiring through the cable management openings to plug in your mattress.

“ZERO CLEARANCE” ADJUSTABLE BED FRAMES



Many adjustable bed frames sold today are “zero clearance,” meaning that they can be placed directly on the floor or a solid platform to operate. These frames usually ship with legs, but these legs are optional.



Most zero clearance bed frames can be placed directly on the LINQ platform. As a general rule, the primary supports for the bed frame needs to run from the top (headboard) to the bottom (foot of the bed), evenly distributing the frame's weight along the platform's slats.

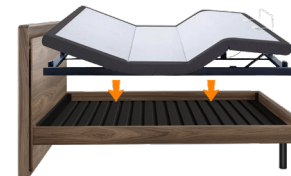
Confirm with your adjustable bed's manufacturer whether your frame is zero clearance and if it can be placed on a platform. The LINQ platform's slats are 3" wide and spaced 1.5" apart. If your bed frame has the weight distributed on horizontal supports or if it is not zero clearance, refer to the directions on the next page.

RECOMMENDED CONFIGURATION

Note that thicknesses of bed frames can vary and these configurations are examples based on common scenarios. Your configuration may differ. Consider the height of your bed frame and mattress when positioning your frame and platform, with the goal of getting the top of your mattress approximately 24" from the floor.

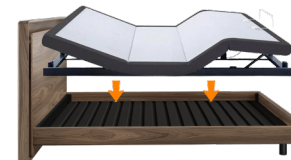
Mattresses 10" and less

Platform Position: LOW
Frame Position: HIGH
Platform Height: 11" | 28 cm



Mattresses over 10"

Platform Position: LOW
Frame Position: LOW
Platform Height: 8" | 21 cm



ADJUSTABLE BED FRAMES WITH LEGS



For some adjustable bed frames, legs are required to provide proper support or to provide clearance under the frame for the motor and mechanisms to operate. In these instances, the LINQ bed's inner platform, center and side rails will not be used. The adjustable bed's frame will be assembled and placed within LINQ's wood frame.



The LINQ bed frame can be positioned in the LOW or HIGH position. To determine the proper frame height, consider the combined height of your mattress and your adjustable bed frame. Most bed frames will have variable leg heights. The ideal height of your mattress is around 24" off the floor.

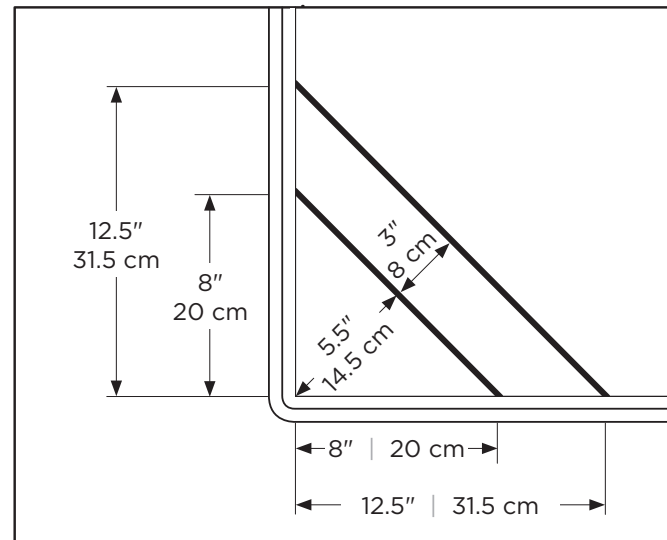
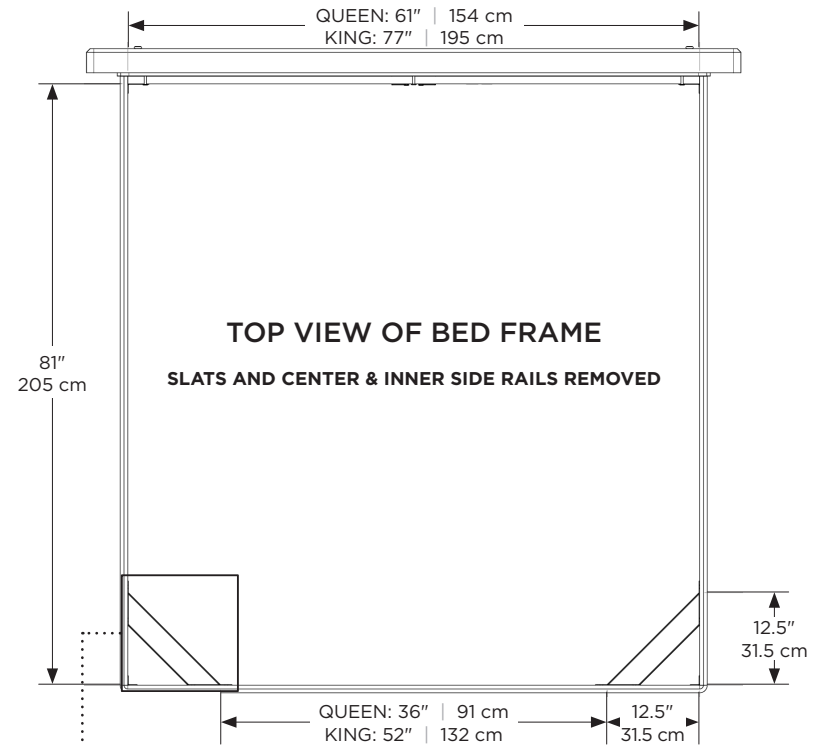


LOW Frame



HIGH Frame

NOTE: Each adjustable bed will have its own unique requirements and we suggest you confirm dimensions and compatibility before purchase and installation. Improper installation may invalidate your manufacturer's warranty. When in doubt, consult with the manufacturer of your adjustable bed for proper installation.



Corner dimensions