

LINK CLAMP

DESCRIPTION

Link modernizes the classic pantograph task lamp, incorporating the most advanced LED lighting technology to date. Designed with a dual-purpose shade/handle, Link seamlessly balances performance and style to satisfy focused lighting needs in any environment. The wide range of Link models include medium and small table, floor, clamp, and wall mount options to accommodate all residential, office, and hospitality task lighting applications.

FIXTURE TYPE

Table

LIGHT SOURCE

(99x) High-output LED array

PRODUCT CODES

| | |
|-----------------------------|--------------------|
| Link Medium Clamp (Silver): | LINK MED CLP SLV |
| Link Medium Clamp (White): | LINK MED CLP WHT |
| Link Medium Clamp (Black): | LINK MED CLP BLK |
| Link Medium Clamp (Orange): | LINK MED CLP ORG |
| Link Medium Clamp (Green): | LINK MED CLP GRN |
| Link Small Clamp (Silver): | LINK SML CLP SLV |
| Link Small Clamp (White): | LINK SML CLP WHT |
| Link Small Clamp (Black): | LINK SML CLP BLK |
| Link Small Clamp (Orange): | LINK SML CLP ORG |
| Link Small Clamp (Green): | LINK SML CLP GRN |
| Link USB (White) | LINK USB |
| Link Small Surface Mount: | Special order only |
| Link Medium Surface Mount: | Special order only |

LIGHT CONTROL

Rocker switch (high, low, off)

FEATURES

- 360° rotation at base
- Full-range height adjustability
- 180° front to back head tilt
- Advanced LED array eliminates multiple shadows
- Hi-low dim control
- Ships flat-packed
- OCC model available upon request

SPECIFICATIONS

- Voltage: 120-240V 50-60Hz
- Power Consumption: 7.5W
- Color Temperature: 3000K
- Luminosity: 350 Lumens
- Luminaire efficacy: 47 Lumens/Watt
- Color Rendition Index: 90 CRI
- 50K hour lifespan
- Cable length: 8' (244cm)
- Global multi-plug adapter available
- 1 year warranty

CERTIFICATIONS



PACKAGING WEIGHT AND DIMENSIONS

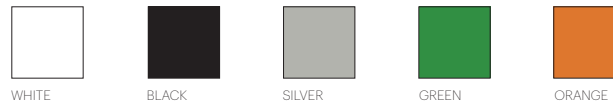
| | | |
|--------------------|--------|--------------------|
| Link Clamp Small: | 3.4LBS | 33.5" X 7" X 4.5" |
| | 1.5KGS | 85cm X 18cm X 11cm |
| Link Clamp Medium: | 3.6LBS | 33" X 6.5" X 4.5" |
| | 1.6KGS | 84cm X 17cm X 11cm |

NOTES

- Occupancy sensor model available upon request
- Custom requests can be considered on volume orders
- Link USB sold separately

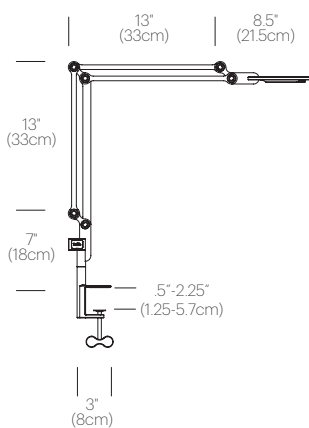


FINISHES

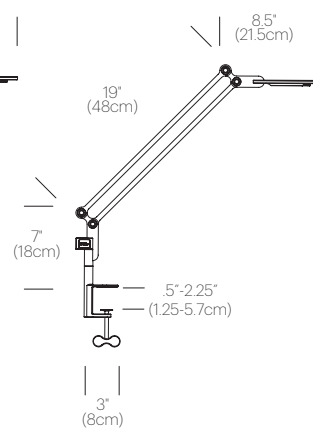


DIMENSIONS

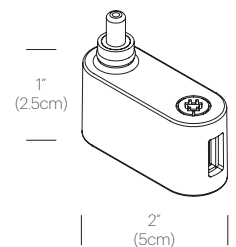
LINK MEDIUM CLAMP



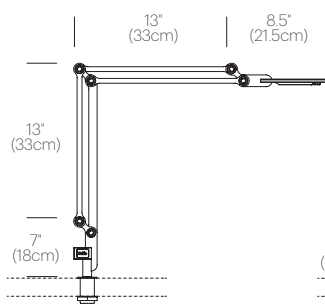
LINK SMALL CLAMP



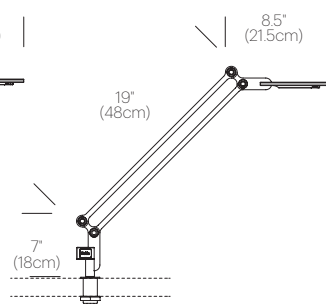
LINK USB PORT ADD-ON



LINK MEDIUM SURFACE MOUNT



LINK SMALL SURFACE MOUNT



SURFACE MOUNT AVAILABLE FOR 2-1/2" (5-3cm) AND 1.2-3" (3-7.6cm) WORKSURFACES