

Storage units **Cabaret**

STRUCTURAL FEATURES

MODULARITY

heights

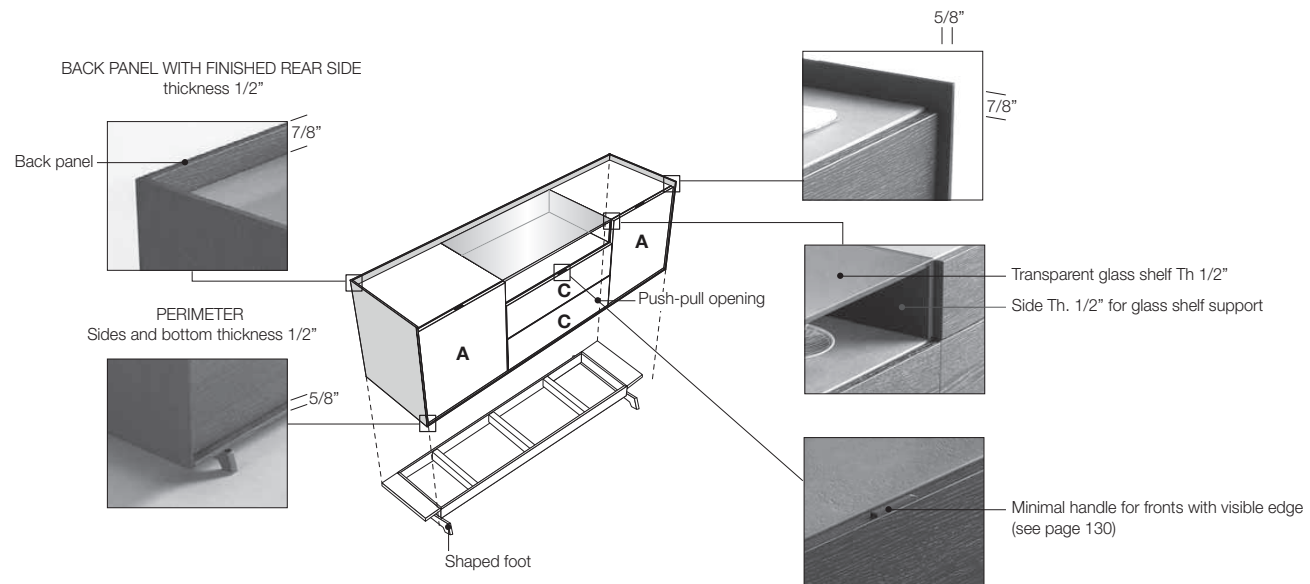
Feet H 5/8"
Sospendo base support H 3 1/4" - H 4 3/4" - H 7 1/8"

	355 (13 7/8")	435 (17 1/4")	515 (20 3/8")	675 (26 5/8")	1235 (48 5/8")
depths	475 (18 3/4")	475 (18 3/4")	475 (18 3/4")	475 (18 3/4")	475 (18 3/4")
widths	1520 (59 7/8") 1820 (71 3/4") 2120 (83 1/2") 2420 (95 3/8") 2720 (107 1/8") 3020 (118 7/8")	1520 (59 7/8") 1820 (71 3/4") 2120 (83 1/2") 2420 (95 3/8") 2720 (107 1/8") 3020 (118 7/8")	1520 (59 7/8") 1820 (71 3/4") 2120 (83 1/2") 2420 (95 3/8") 2720 (107 1/8") 3020 (118 7/8")	1520 (59 7/8") 1820 (71 3/4") 2120 (83 1/2") 2420 (95 3/8") 2720 (107 1/8") 3020 (118 7/8")	920 (36 1/4") 1220 (48 1/8")

Cabaret sideboards are made up of standard Lampo units with finished covers and for modular covers. For ceramic tops, Lampo units with 1/2" lowered covers are used. **The type of opening is shown by a code next to the front panel. Fronts with visible top edging have Minimal handles, whereas the others come with a push-pull mechanism.**

Cabaret veneered, matt lacquered or metal lacquered perimeters have a finished full back panel and are mounted on base supports with different types of supports.

OPENINGS



Storage units **Cabaret**

TYPES	
<p>LINEAR STORAGE UNITS</p> <p>A</p>	<p>FINISHED OR MODULAR COVER TH 7/8"</p> <p>20 (7/8") 20 (7/8")</p> <p>Modular cover Lowered structural cover</p> <p>MODULAR CERAMIC COVER TH 1/2"</p> <p>12 (1/2") 20 (7/8")</p> <p>Modular cover in ceramic Lowered structural cover</p>
<p>STORAGE UNITS WITH SIDE GLASS COMPARTMENT</p> <p>B</p>	<p>25 (7/8")</p> <p>Support side perimeter for units carcass are delivered with the same finish</p>
<p>STORAGE UNITS WITH CENTRAL GLASS COMPARTMENT</p> <p>C</p>	<p>25 (7/8")</p> <p>Support side perimeter for units carcass are delivered with the same finish</p>
<p>STORAGE UNITS WITH STEP H 7 3/8"</p> <p>D</p>	<p>185 (7 3/8")</p>
<p>STORAGE UNITS WITH STEP H 4 1/4"</p> <p>G</p>	<p>105 (4 1/4")</p>