

Storage units **Cidori**

Technical features

MODULARITY

heights

(excluding feet)

	165 (6 1/2")	245 (9 3/4")	510 (20 1/8")
Plinth with foot H 1 1/4"			
	Drawer	Drawer	Hinged door
depths	451 (17 7/8")	451 (17 7/8")	451 (17 7/8")
	537 (21 1/4")	537 (21 1/4")	537 (21 1/4")
widths	600 (23 5/8")	600 (23 5/8")	600 (23 5/8")
	900 (35 1/2")	900 (35 1/2")	900 (35 1/2")
	1200 (47 1/4")	1200 (47 1/4")	1200 (47 1/4")
	1500 (59 1/8")	1500 (59 1/8")	1800 (70 7/8")
	1800 (70 7/8")	1800 (70 7/8")	2400 (94 1/2")
	2400 (94 1/2")	2400 (94 1/2")	

PRODUCT DATA SHEET

EXTERNAL PERIMETER (fronts, side panels and back panel) in *wood particle board panels thickness 7/8" with 45°-shaped vertical edges and synthetic melamine matt, glossy lacquered or metal or wood veneer. For version with perimeter in glossy finish TOP, PLINTH AND INTERNAL SIDE OF PERIMETER ARE ALWAYS IN MATT FINISH. Internal shelves in transparent tempered glass thickness 1/4".

TOP thickness 7/8" and PLINTH thickness 7/8" or 1 7/8" (with foot sunk in the thickness and adjustable from the inside) in *wood particle board panels with synthetic melamine matt lacquered or metal or coated with wood veneer.

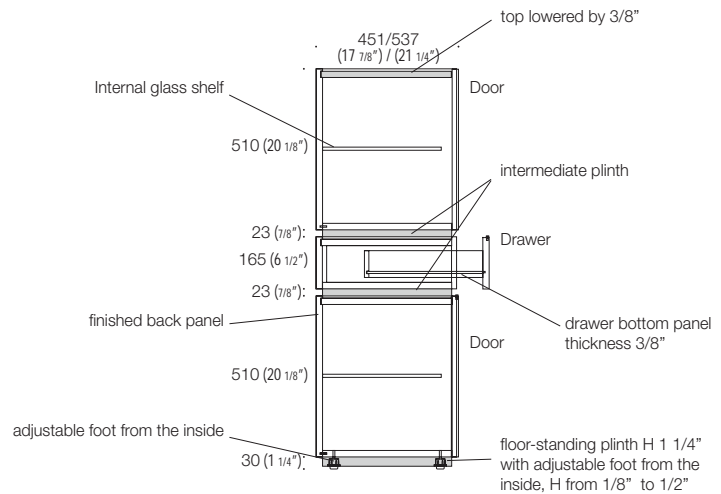
TURN DRAWER thickness 5/8" and BOTTOM thickness 3/8" in *wood particle board panels with melamine Jute-effect.

Tempered GLASS TOP thickness 1/4" lacquered on etched or glossy base.

*Wood and derivatives components according to the following standards: EPA TSCA TITLE VI.

RUNNERS FOR DRAWERS

Opening with grip: High sliding full extraction metal runners with FULL EXTRACTION, end-of-run buffer with dynamic capacity of 30 kg. "Blumotion" soft-closing mechanism integrated in the runner for a silence and soft closing system.. Anti-tilting pin, vertical and inclination adjustment of fronts incorporated in all system runners. Additional stabilizer bar for drawers width 35 1/2" and "MOVENTO" runners with built-in stabilizer and also front side adjustment for drawers width 47 1/4", 59 1/8", 70 7/8" and 94 1/2".



Storage units **Cidori**

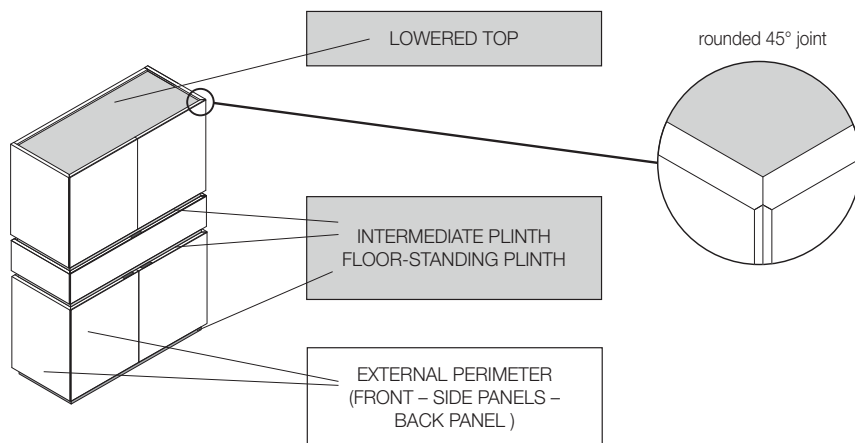
Technical features

CIDORI SYSTEM

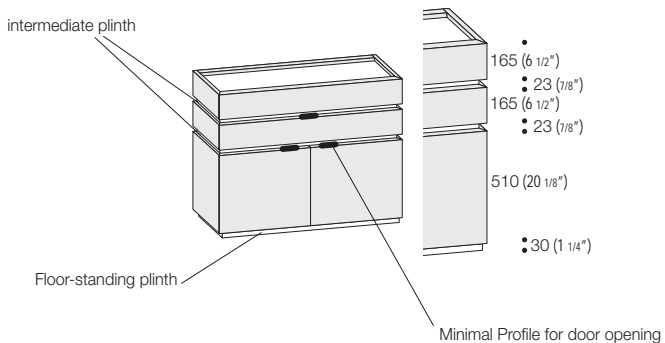
Modular units for living room characterized by the 45° joint between side panels and fronts and from the "tray" upper top which can be completed by a lacquered glass shelf, gloss or satin. The back panels are finished with the same front and side panel finishing and they contribute to form the fourth side of the "tray".

DATA TO BE INDICATED IN THE ORDER:

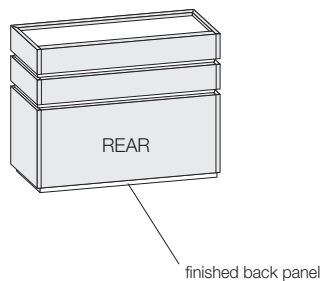
- TOP - PLINTHS Finish (products are supplied in the same finish)
- EXTERNAL PERIMETER Finish
- Arrangement of the units to insert the Minimal profile, necessary for the front opening on the intermediate plinth.



IMPORTANT: in the order always indicate if units are superimposed



FINISHED BACK PANELS: all CIDORI elements are finished on the back side, therefore can be placed as elements in "centre of the room"



Minimal profile (included in element's price)

COMBINATIONS WITH MINIMAL PROFILE

FRONTS

OAK Carbone
 OAK Argilla
 OAK Grigio
 OAK Cenere
 NOCE CANALETTO
 Matt/glossy LACQUERED
 Metal LACQUERED

MINIMAL PROFILE

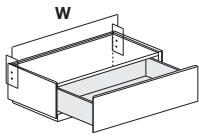
BROWN
 Matt TERRANOVA
 BROWN
 PIOMBO
 BROWN
 Matt/glossy LACQUERED
 Metal LACQUERED

Storage units **Cidori**

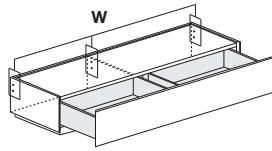
STRUCTURAL FEATURES

CIDORI HANGING UNIT WITH DRAWER

Hanging units are provided with brackets for wall mounting, which have an innovative automatic system against accidental unhooking

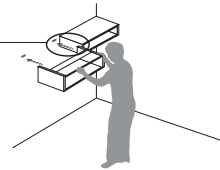
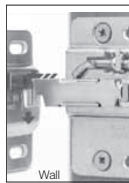


The elements with width 23 5/8" - 35 1/2" are supplied with 2 hangers.



Units with Width 47 1/4" with 2 turn drawers are delivered with 3 brackets.

HANGER TYPE "B"



FRONT ADJUSTMENT



CATAS CERTIFICATE
according to the standards :
TÜV
LGA

VERTICAL ADJUSTMENT



CAPACITY

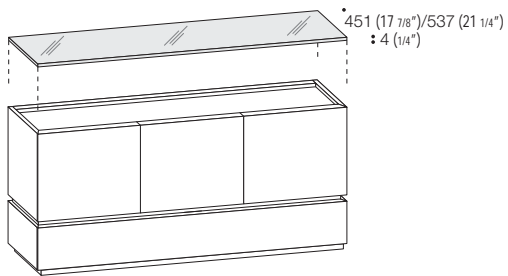


ATTENTION : the capacity is related to the hardware mounted in the furniture. The given plugs for the wall mounting may not be suitable in certain situations. The responsibility concerning the assembly of the furniture belongs to the buyer, who must evaluate the resistance of his/her wall. The stability and capacity of wall-mounted elements are guaranteed by the proper assembly and by following our instructions correctly.

The shelves inside the units are designed for the light loads typical of residential use (around 25 kg per square metre), distributed uniformly over the surface. For heavier or more concentrated loads, we recommend using single units with 17 3/4" - 23 5/8" width.

Gloss and satin lacquered glass
Dark mirror

	W	D	CODE	
Optional glass top thickness 1/4"	23 5/8"	17 7/8"	NTC207BV	77
		21 1/4"	NTC407BV	85
	35 1/2"	17 7/8"	NTC209BV	89
		21 1/4"	NTC409BV	98
	47 1/4"	17 7/8"	NTC212BV	111
		21 1/4"	NTC412BV	123
	59 1/8"	17 7/8"	NTC215BV	131
		21 1/4"	NTC415BV	152
	70 7/8"	17 7/8"	NTC218BV	154
		21 1/4"	NTC418BV	176
	94 1/2"	17 7/8"	NTC224BV	195
		21 1/4"	NTC424BV	226



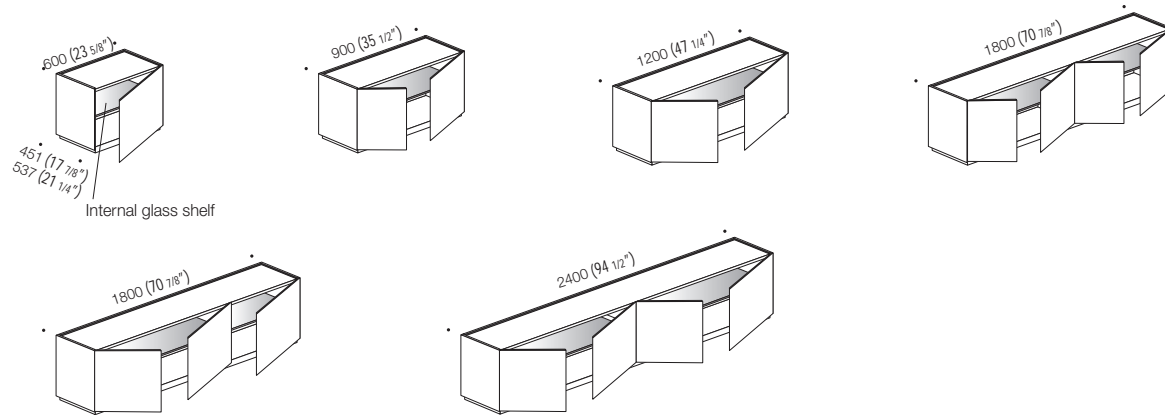
NOTE: for glass cut to size with compensation, take the price of the larger dimension and add a surcharge of € 31 for the cutting.

Storage units **Cidori**

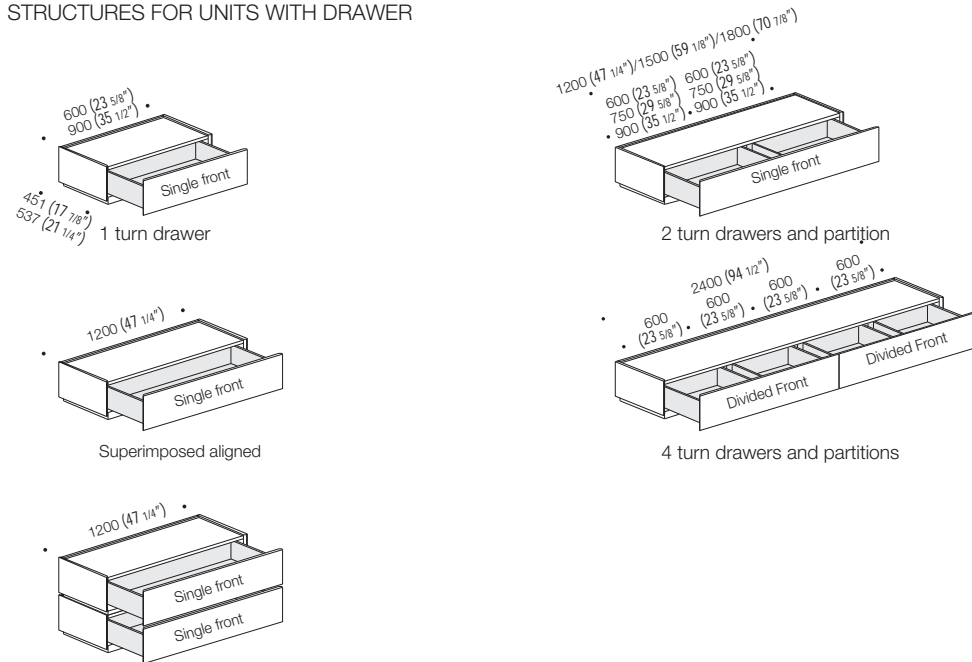
STRUCTURAL FEATURES

DOOR UNIT STRUCTURES

Cidori elements with hinged doors are supplied with a glass shelf placed in the middle of the compartment.



STRUCTURES FOR UNITS WITH DRAWER



W 47 1/4" with single surround, cover with warping bar and opening stabilizer mechanism.
Cover max capacity 10 kg
 It is possible to overlap aligned drawer units with one drawer with the same width.