

# Dorian



Letto con testata e giroletto, anche per contenitore, in legno e derivati imbottiti con poliuretano espanso a quote differenziate con pre-rivestimento in ovatta di poliestere. Rivestimento sfoderabile in tessuto, ecopelle e pelle. Rivestimento in pelle con retro testiera in tela tecnica disponibile anche con la stessa finitura della parte frontale. Giroletto rastremato in altezza con rivestimento continuo.

Basamento e cornice in alluminio estruso con piedi in alluminio pressofuso con finitura metallica nichel black lucido, epossidico brown e piombo o verniciato bronzo, ottone e rame.

Letto con testata e giroletto, anche per contenitore, in legno e derivati imbottiti con poliuretano espanso a quote differenziate con pre-rivestimento in ovatta di poliestere. Rivestimento sfoderabile in tessuto, ecopelle e pelle. Rivestimento in pelle con retro testiera in tela tecnica disponibile anche con la stessa finitura della parte frontale. Giroletto rastremato in altezza con rivestimento continuo.

Basamento e cornice in alluminio estruso con piedi in alluminio pressofuso con finitura metallica nichel black lucido, epossidico brown e piombo o verniciato bronzo, ottone e rame.

## CON BASAMENTO IN METALLO

985



150  
360

Predisposto per materasso / mm	
Con compensazione	L/W 1500 x P/D 1900 L/W 1500 x P/D 2000
	L/W 1600 x P/D 1900 L/W 1600 x P/D 2000
	L/W 1800 x P/D 2000
Queen size	L/W 1530 x P/D 2030
King size	L/W 1930 x P/D 2030

Ingombro / mm

L/W 1655 x P/D 2179 L/W 1655 x P/D 2279
L/W 1725 x P/D 2179 L/W 1725 x P/D 2279
L/W 1925 x P/D 2279
L/W 1655 x P/D 2309 L/W 2055 x P/D 2309

## IMBOTTITO CON CORNICE

985



280  
350

Predisposto per materasso / mm	
Con compensazione	L/W 1500 x P/D 1900 L/W 1500 x P/D 2000
	L/W 1600 x P/D 1900 L/W 1600 x P/D 2000
	L/W 1800 x P/D 2000
Queen size	L/W 1530 x P/D 2030
King size	L/W 1930 x P/D 2030

Ingombro / mm

L/W 1655 x P/D 2179 L/W 1655 x P/D 2279
L/W 1725 x P/D 2179 L/W 1725 x P/D 2279
L/W 1925 x P/D 2279
L/W 1655 x P/D 2309 L/W 2055 x P/D 2309

## CONTENITORE CON CORNICE

985



280  
350

Predisposto per materasso / mm

L/W 1600 x P/D 1900 L/W 1600 x P/D 2000
L/W 1800 x P/D 2000

Ingombro / mm

L/W 1725 x P/D 2179 L/W 1725 x P/D 2279
L/W 1925 x P/D 2279

## Dorian with base support

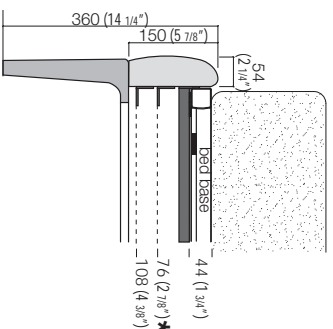


### FEATURES

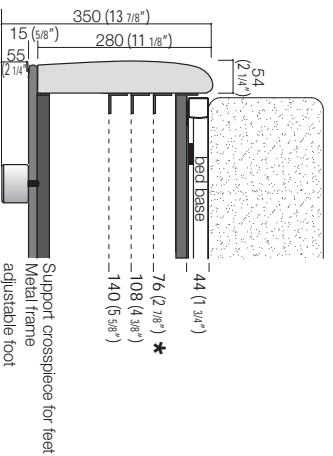
#### MATERIALS

Headboard	Structure in *wood or derivatives coated with polyurethane foam with differentiated quotes with pre cover in polyester wadding. Removable fabric. Ecoleather and Leather cover with a longitudinal stitching next to the rounded unit. Leather cover with headboard back in technical canvas available, with surcharge, also with the same finish as the front.
Bed frame	Structure, also for storage unit, in *wood or derivatives coated with polyurethane foam with differentiated quotes with pre cover in polyester wadding. Tapered in height, with removable fabric. Ecoleather and Leather cover.
Base support and frame	Extruded aluminium with die-cast aluminium. *Wood and derivatives components according to the following standards: EPA TSCA TITLE VI.

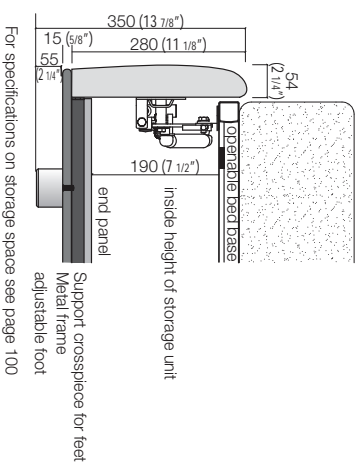
Bed frame section H 5 7/8" with METAL BASE SUPPORT



Bed frame section H 11 1/8" with METAL FRAME



Bed frame section H 11 1/8" with METAL FRAME and STORAGE UNIT



For specifications on storage space see page 100

\* Positions of height adjustable bed base supports for built-in anatomical bed bases or mattresses

# Dorian Plano



Letto con testata e giroletto, anche per contenitore, in legno e derivati imbottiti con poliuretano espanso a quote differenziate con pre-rivestimento in ovatta di poliestere. Rivestimento sfoderabile in tessuto, ecopelle e pelle. Rivestimento in pelle con retro testiera in tela tecnica disponibile, anche con la stessa finitura della parte frontale. Giroletto squadrato con cucitura perimetrale.

Letto con testata e giroletto, anche per contenitore, in legno e derivati imbottiti con poliuretano espanso a quote differenziate con pre-rivestimento in ovatta di poliestere. Rivestimento sfoderabile in tessuto, ecopelle e pelle. Rivestimento in pelle con retro testiera in tela tecnica disponibile, anche con la stessa finitura della parte frontale. Giroletto squadrato con cucitura perimetrale. Basamento e cornice in alluminio estruso con piedi in alluminio pressofuso con finitura metallica nichel black lucido, epossidico brown e piombo o verniciato bronzo, ottone e rame.

## PIEDI IN METACRILATO

965



150  
330

Predisposto per materasso / mm

L/W 1500 x P/D 1900  
L/W 1500 x P/D 2000

L/W 1600 x P/D 1900  
L/W 1600 x P/D 2000

L/W 1800 x P/D 2000  
L/W 1800 x P/D 2100

Queen size L/W 1530 x P/D 2030  
King size L/W 1930 x P/D 2030

Ingombro / mm

L/W 1637 x P/D 2170  
L/W 1637 x P/D 2270

L/W 1707 x P/D 2170  
L/W 1707 x P/D 2270

L/W 1907 x P/D 2270  
L/W 1907 x P/D 2370

L/W 1637 x P/D 2300  
L/W 2037 x P/D 2300

## PIEDE -X- IN METALLO

965



150  
330

Predisposto per materasso / mm

L/W 1500 x P/D 1900  
L/W 1500 x P/D 2000

L/W 1600 x P/D 1900  
L/W 1600 x P/D 2000

L/W 1800 x P/D 2000  
L/W 1800 x P/D 2100

Queen size L/W 1530 x P/D 2030  
King size L/W 1930 x P/D 2030

Ingombro / mm

L/W 1637 x P/D 2179  
L/W 1637 x P/D 2279

L/W 1707 x P/D 2179  
L/W 1707 x P/D 2279

L/W 1907 x P/D 2279  
L/W 1907 x P/D 2370

L/W 1637 x P/D 2309  
L/W 2037 x P/D 2309

## IMBOTTITO A TERRA

965



280  
330

Predisposto per materasso / mm

L/W 1500 x P/D 1900  
L/W 1500 x P/D 2000

L/W 1600 x P/D 1900  
L/W 1600 x P/D 2000

L/W 1800 x P/D 2000  
L/W 1800 x P/D 2100

Queen size L/W 1530 x P/D 2030  
King size L/W 1930 x P/D 2030

Ingombro / mm

L/W 1637 x P/D 2179  
L/W 1637 x P/D 2279

L/W 1707 x P/D 2179  
L/W 1707 x P/D 2279

L/W 1907 x P/D 2279  
L/W 1907 x P/D 2370

L/W 1637 x P/D 2309  
L/W 2037 x P/D 2309

## CONTENITORE

965



280  
330

Predisposto per materasso / mm

L/W 1600 x P/D 1900  
L/W 1600 x P/D 2000

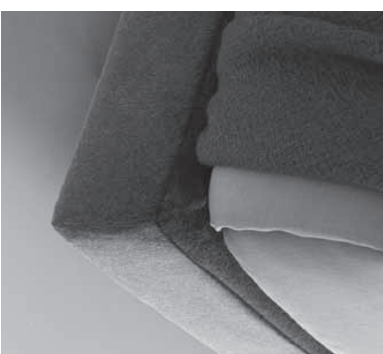
L/W 1800 x P/D 2000

Ingombro / mm

L/W 1707 x P/D 2179  
L/W 1707 x P/D 2279

L/W 1907 x P/D 2279

# Dorian Plano



## FEATURES

### MATERIALS

#### Headboard

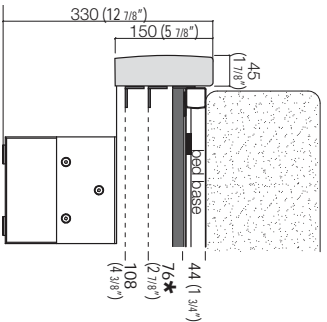
Structure in \*wood or derivatives coated with polyurethane foam with differentiated quotes with pre cover in polyester wadding. Removable fabric, Ecoleather and Leather cover with a longitudinal stitching next to the rounded unit. Leather cover with with headboard back in technical canvas available, with surcharge, also with the same finish as the front.

#### Bed frame

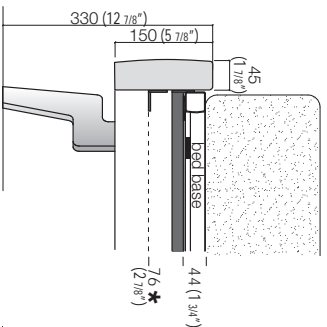
Structure, also for storage unit, in \*wood or derivatives coated with polyurethane foam with differentiated quotes with pre cover in polyester wadding. Square with perimeter stitching and removable fabric, Ecoleather and Leather cover.

\*Wood and derivatives components according to the following standards: EPA TSCA TITLE VI.

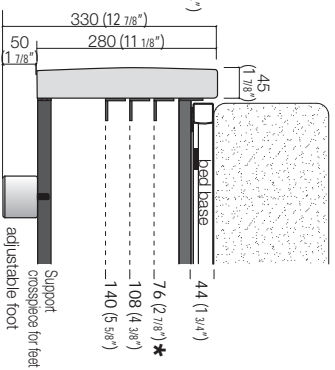
Bed frame section H 5 7/8"  
WITH FOOT -**M**- METHACRYLATE



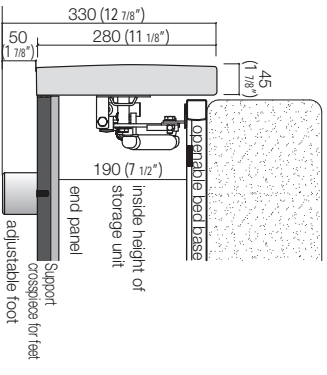
Bed frame section H 5 7/8"  
WITH FOOT -**X**- IN SHAPED METAL



Bed frame section H 11 1/8"



Bed frame section H 11 1/8"  
with STORAGE UNIT



For specifications on storage space see page 100

\* Positions of height adjustable bed base supports for built-in anatomical bed bases or mattresses