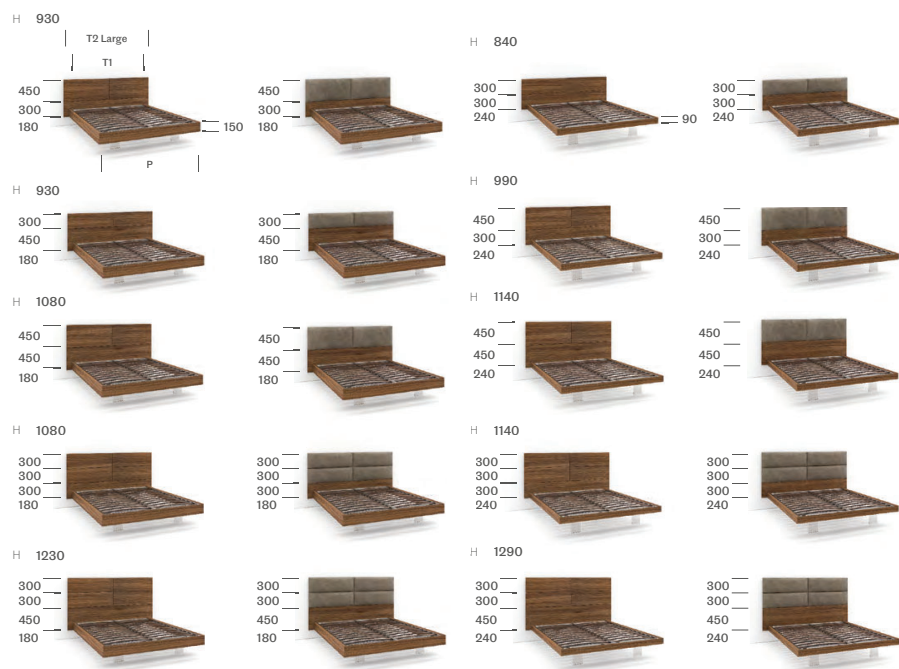


## Sistema Ecletto

Un sistema versatile per creare molteplici varianti, in questo caso con giroletto in finitura legno H 90 mm o H 150 mm, sovrapponendo i pannelli modulari in varie altezze e combinandoli per tipologia (imbottiti o finitura legno). È inoltre possibile avere una modularità in larghezza, sia a filo ring che sporgente.

Un sistema versatile per creare molteplici varianti, in questo caso con giroletto in finitura legno H 90 mm o H 150 mm, sovrapponendo i pannelli modulari in varie altezze e combinandoli per tipologia (imbottiti o finitura legno). È inoltre possibile avere una modularità in larghezza, sia a filo ring che sporgente.

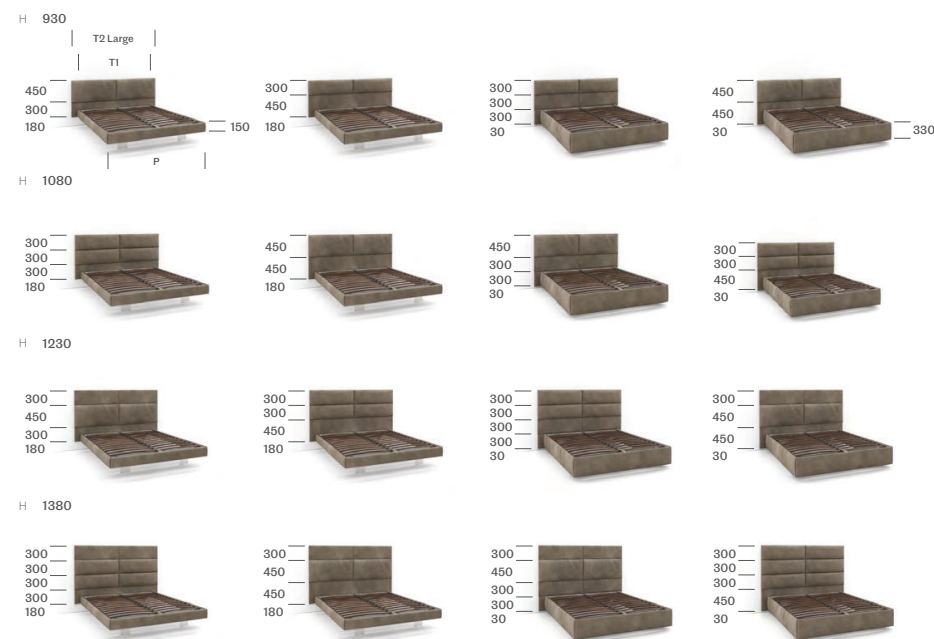


| Dimensioni rete                | T1       | T2 Large | P        |
|--------------------------------|----------|----------|----------|
| L/W 1500 x P/D 1900            | L/W 1630 | L/W 1700 | L/W 1627 |
| L/W 1500 x P/D 2000            | L/W 1630 | L/W 1700 | L/W 1627 |
| L/W 1600 x P/D 1900            | L/W 1700 | L/W 1800 | L/W 1697 |
| L/W 1600 x P/D 2000            | L/W 1700 | L/W 1800 | L/W 1697 |
| L/W 1700 x P/D 1900            | L/W 1800 | L/W 1900 | L/W 1797 |
| L/W 1700 x P/D 2000            | L/W 1800 | L/W 1900 | L/W 1797 |
| L/W 1800 x P/D 2000            | L/W 1900 | L/W 2030 | L/W 1897 |
| L/W 1800 x P/D 2100            | L/W 1900 | L/W 2030 | L/W 1897 |
| Queen size L/W 1530 x P/D 2030 | L/W 1630 | L/W 1700 | L/W 1627 |
| King Size L/W 1930 x P/D 2030  | L/W 2030 | L/W 2160 | L/W 2027 |

## Sistema Ecletto

Anche nelle tipologie imbottiti piani o bombati, i pannelli modulari possono essere sovrapposti per ottenere varie altezze e larghezze, in versione a filo ring o sporgente. Nascono così diverse soluzioni, in questo caso con giroletto imbottito H 150 mm o H 300 mm.

Anche nelle tipologie imbottiti piani o bombati, i pannelli modulari possono essere sovrapposti per ottenere varie altezze e larghezze, in versione a filo ring o sporgente. Nascono così diverse soluzioni, in questo caso con giroletto imbottito H 150 mm o H 300 mm.



| Dimensioni rete                | T1       | T2 Large | P        |
|--------------------------------|----------|----------|----------|
| L/W 1500 x P/D 1900            | L/W 1630 | L/W 1700 | L/W 1627 |
| L/W 1500 x P/D 2000            | L/W 1630 | L/W 1700 | L/W 1627 |
| L/W 1600 x P/D 1900            | L/W 1700 | L/W 1800 | L/W 1697 |
| L/W 1600 x P/D 2000            | L/W 1700 | L/W 1800 | L/W 1697 |
| L/W 1700 x P/D 1900            | L/W 1800 | L/W 1900 | L/W 1797 |
| L/W 1700 x P/D 2000            | L/W 1800 | L/W 1900 | L/W 1797 |
| L/W 1800 x P/D 2000            | L/W 1900 | L/W 2030 | L/W 1897 |
| L/W 1800 x P/D 2100            | L/W 1900 | L/W 2030 | L/W 1897 |
| Queen size L/W 1530 x P/D 2030 | L/W 1630 | L/W 1700 | L/W 1627 |
| King Size L/W 1930 x P/D 2030  | L/W 2030 | L/W 2160 | L/W 2027 |

## System Ecleitto

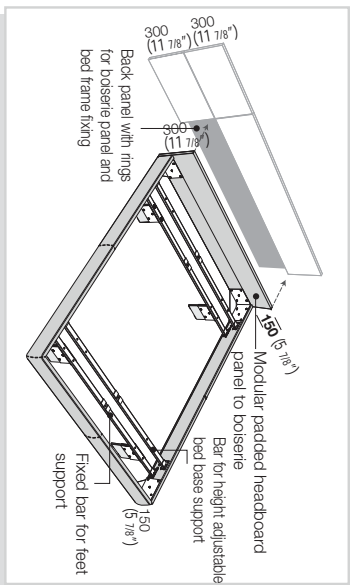
Beds **TYPE A**  
with padded bed frame H 5 7/8"

### FEATURES

| MATERIALS | Headboard  |
|-----------|--|
|           | Made of *wood particle board panels with a linear polyurethane foam layer for a total thickness of 1 1/8" for the version with FLAT or padded panel with shaped polyurethane foam for a total thickness of 2 7/8" *for the version with ROUNDED panel. Removable fabric cover and not removable Ecoleather and Leather cover. SRetro pannelli di sostegno, shaped to measure for each equipped headboard, in stained black medium density wood particle board. |
| Bed frame | In *wood and wood-based shaped with polyurethane foam for a total thickness of 1 5/8" with removable fabric cover and not removable Ecoleather and Leather cover with sides and footboard individually packaged. M. methacrylate standard foot or, upon request, X metal feet.   |
|           | *Wood and derivatives components according to the following standards: EPA TSCA TITLE VI.  |

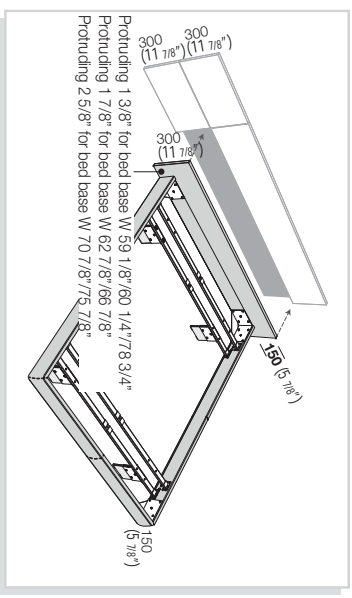
### A150 (5 7/8")

Flush-mounted side headboard panel H 11 7/8" protruding 5 7/8" above



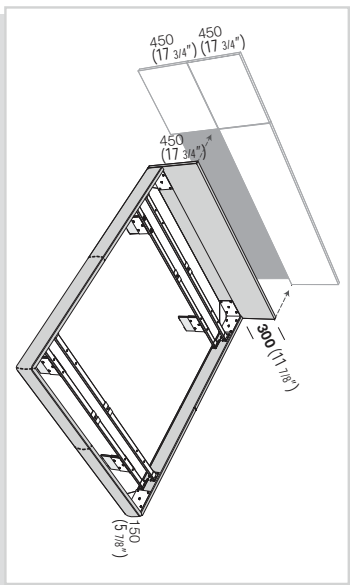
### A150 (5 7/8") LARGE

Headboard panel H 11 7/8" protruding on side and 5 7/8" above



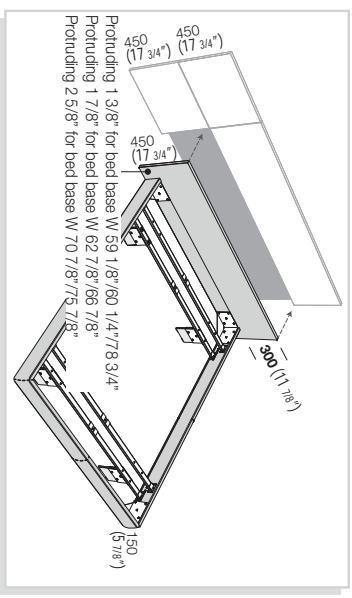
### A300 (11 7/8")

Flush-mounted side headboard panel H 17 3/4" protruding 11 7/8" above

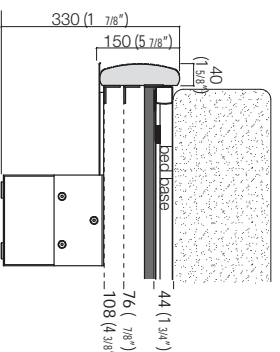


### A300 (11 7/8") LARGE

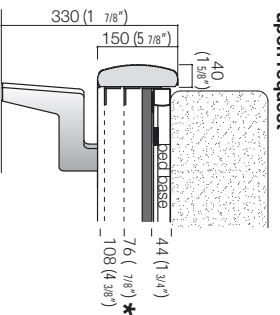
Headboard panel H 17 3/4" protruding on side and 11 7/8" above



Bed frame section H 5 7/8"  
METHACRYLATE FOOT -M- standard



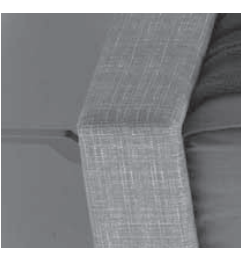
Bed frame section H 5 7/8"  
SHAPED METAL FOOT -X-  
upon request



Not removable. Leather/Ecoleather cover with  
sides and footboard (individually packaged)



Removable fabric cover



\* Positions of height adjustable bed base supports for built-in anatomical bed bases or mattresses

## System Eclettto

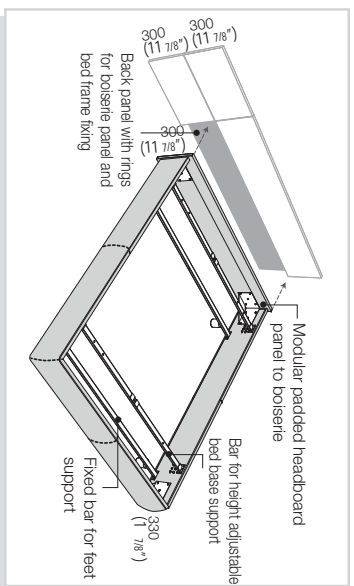
Beds **TYPE B**  
with padded bed frame H 11 7/8"

### FEATURES

| MATERIALS                                | Headboard   |
|--|---|
| Bed frame                                | Made of *wood particle board panels with a linear polyurethane foam layer for a total thickness of 1 1/8" for the version with FLAT or padded panel with shaped polyurethane foam for a total thickness of 2 7/8" for the version with ROUNDED panel. Removable fabric cover and not removable Ecoleather and Leather cover. SRetto pannelli di sostegno, shaped to measure for each equipped headboard, in stained black medium density wood particle board. |
| B H 11 7/8"<br>also for<br>storage space | In *wood and wood-based shaped with polyurethane foam for a total thickness of 1 5/8" with removable fabric cover and not removable Ecoleather and Leather cover with sides and footboard individually packaged.  |
|  | *Wood and derivatives components according to the following standards: EPA TSCA TITLE VI.   |

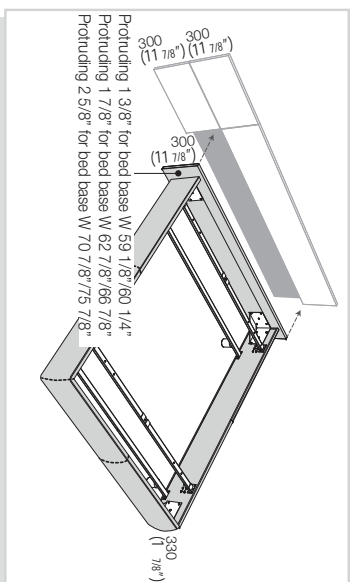
### B00

Headboard panel H 11 7/8" flush on side



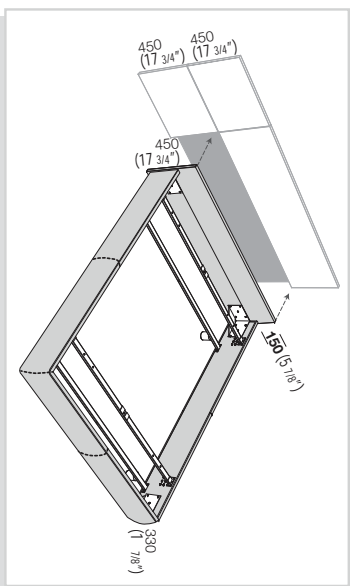
### B00 LARGE

Headboard panel H 11 7/8" protruding on side



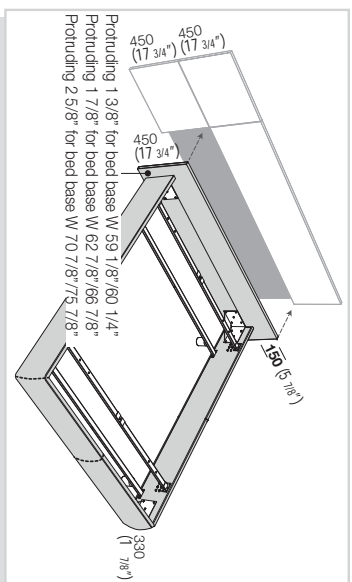
### B150 (5 7/8")

Headboard panel H 17 3/4" flush on side and protruding 5 7/8" above

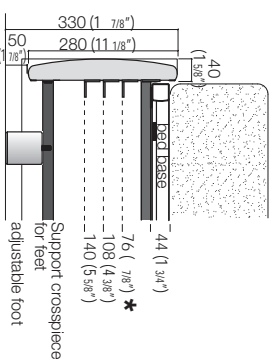


### B150 (5 7/8") LARGE

Headboard panel H 17 3/4" protruding on side and 5 7/8" above



Bed frame section H 5 7/8"



Not removable. Leather/Ecoleather cover with sides and footboard (individually packaged)



Removable fabric cover



\*Positions of height adjustable bed base supports for built-in anatomical bed bases or mattresses

## System Ecletto

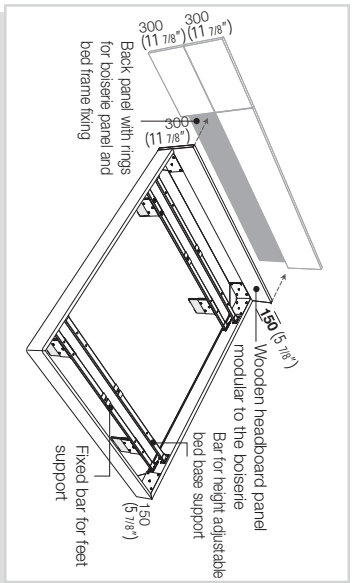
Beds **TYPE E**  
with wooden bed frame H 5 7/8"

### FEATURES

| MATERIALS | Headboard   |
|-----------|---|
|           | Made of *wood particle board panels thickness 7/8" coated with synthetic melamine matt lacquered and metal or with painted Oak veneer. Upholstered panels with shaped polyurethane foam for a total thickness of 2 7/8" for the version with <b>ROUNDED</b> panel with removable fabric cover and not removable Ecoteather and Leather cover. Supporting back panels, shaped to measure for each equipped headboard, in stained black medium density wood particle board. |
|           | In medium density *wood particle board panels veneered Oak or matt lacquered. Perimetric shaping creates a top inclined to the inside housing the bed base. M methacrylate standard feet or, upon request, X metal feet.  |
|           | *Wood and derivatives components according to the following standards: EPA TSCA TITLE VI.   |

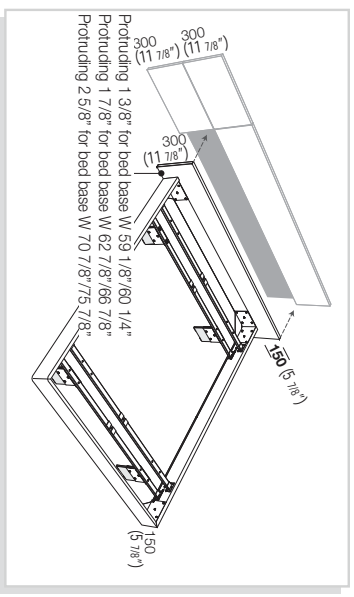
### E150 (5 7/8")

Flush-mounted side headboard panel H 11 7/8" protruding 5 7/8" above



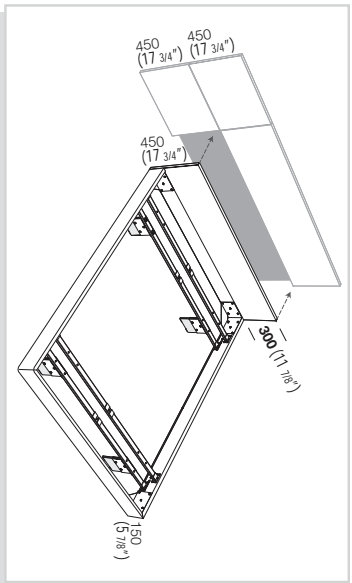
### E150 (5 7/8") LARGE

Headboard panel H 11 7/8" protruding on side and 5 7/8" above



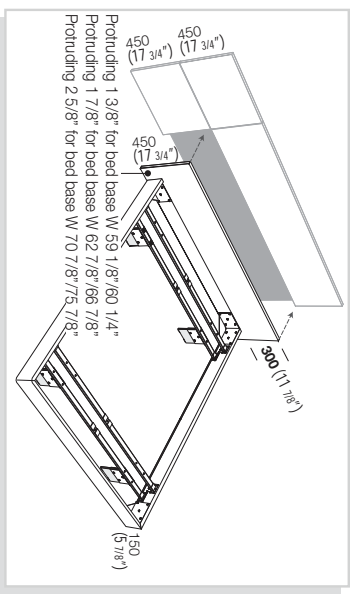
### E300 (11 7/8")

Flush-mounted side headboard panel H 17 3/4" protruding 11 7/8" above

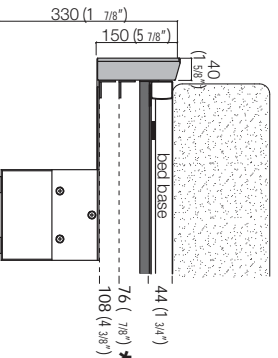


### E300 (11 7/8") LARGE

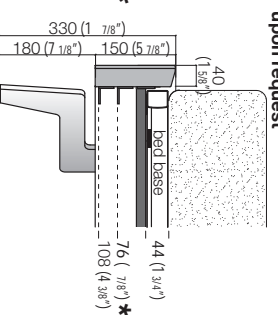
Headboard panel H 17 3/4" protruding on side and 11 7/8" above



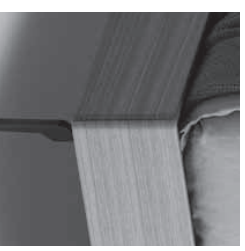
Bed frame section H 5 7/8"  
**METHACRYLATE FOOT -M- standard**



Bed frame section H 5 7/8"  
**SHAPED METAL FOOT -X- upon request**



Type E bed frame in 1 5/8" thick MDF with shaped perimeter that creates a surface inclined inwards to accommodate the bed base



\* Positions of height adjustable bed base supports for built-in anatomical bed bases or mattresses

## System Ecletto

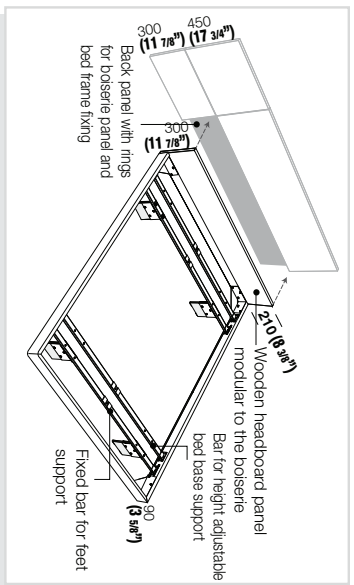
Beds **TYPE G**  
with wooden bed frame H 3 5/8"

### FEATURES

| MATERIALS                                      | Headboard  |
|--|--|
| Headboard                                      | Made of *wood particle board panels thickness 7/8" coated with synthetic melamine matt lacquered and metal or with painted Oak veneer. Upholstered panels with shaped polyurethane foam for a total thickness of 2 7/8" for the version with ROUNDED panel with removable fabric cover and not removable Ecoteather and Leather cover. Supporting back panels, shaped to measure for each equipped headboard, in stained black medium density wood particle board. |
| Bed frame                                      | In medium density *wood particle board panels veneered Oak or matt lacquered. Perimetric shaping creates a top inclined to the inside housing the bed base. M methacrylate standard feet or, upon request, X metal feet.   |
| G H 3 5/8"                                     |  |
| for foot or storage unit with recessed slides. | *Wood and derivatives components according to the following standards: EPA TSCA TITLE VI.  |

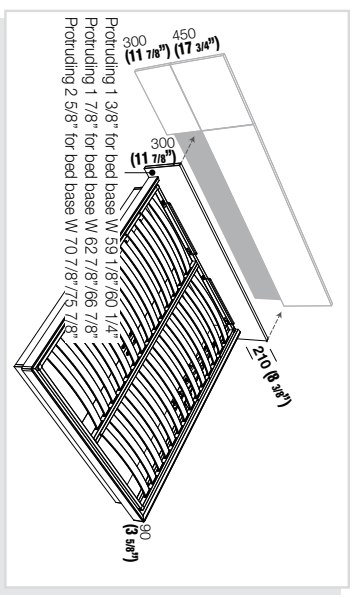
### G210 (8 3/8")

Headboard panel H 11 7/8" flush on side and protruding 8 3/8" above



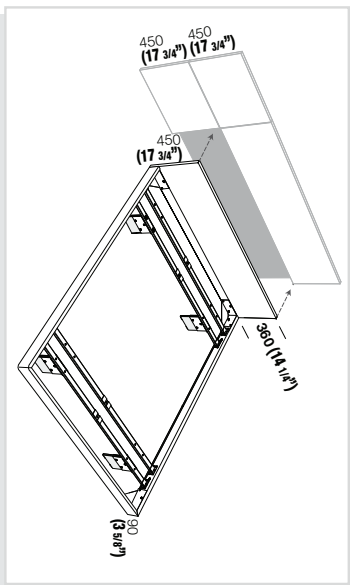
### G210 (8 3/8") LARGE

Headboard panel H 11 7/8" protruding on side and 8 3/8" above



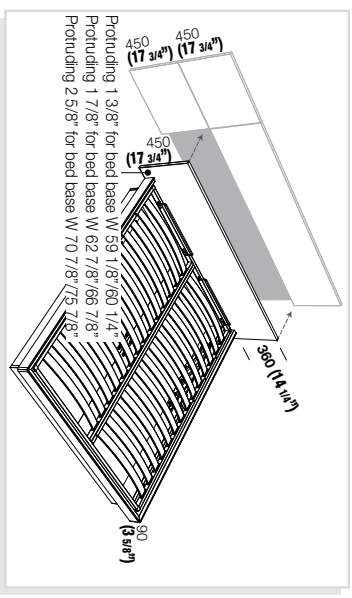
### G360 (14 1/4")

Headboard panel H 17 3/4" flush on side and protruding 14 1/4" above

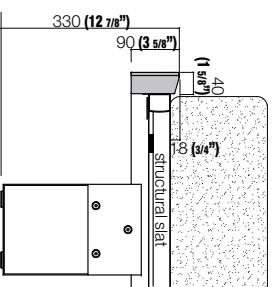


### G360 (14 1/4") LARGE

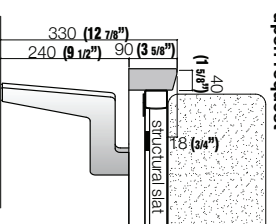
Headboard panel H 17 3/4" flush on side and 14 1/4" above



Bed frame section H 3 5/8"  
METHACRYLATE FOOT -M- standard



Bed frame section H 3 5/8"  
SHAPED METAL FOOT -X- upon request



Type G bed frame in 1 5/8" thick MDF with shaped perimeter that creates a surface inclined inwards to accommodate the bed base

