

# Gaston



Letto con testata in legno e derivati imbottita con poliuretano espanso a quote differenziate con pre-rivestimento in ovatta di poliestere. Rivestimento sfoderabile in tessuto o fisso in ecopelle / pelle con cuciture verticali e confezione con "reverse" perimetrale. Rivestimento in pelle con retrotestiera in tela tecnica disponibile anche con la stessa finitura della parte frontale. Giroletto rastremato in altezza con rivestimento continuo. Basamento e cornice in alluminio estruso con piedi in alluminio pressofuso con finitura metallica nichel black lucido, epossidico brown e piombo o verniciato bronzo, ottone e rame.

Letto con testata in legno e derivati imbottita con poliuretano espanso a quote differenziate con pre-rivestimento in ovatta di poliestere. Rivestimento sfoderabile in tessuto o fisso in ecopelle / pelle con cuciture verticali e confezione con "reverse" perimetrale. Rivestimento in pelle con retrotestiera in tela tecnica disponibile anche con la stessa finitura della parte frontale. Giroletto rastremato in altezza con rivestimento continuo. Basamento e cornice in alluminio estruso con piedi in alluminio pressofuso con finitura metallica nichel black lucido, epossidico brown e piombo o verniciato bronzo, ottone e rame.

## CON BASAMENTO IN METALLO



Predisposto per materasso / mm

L/W 1500 x P/D 1900  
L/W 1500 x P/D 2000

L/W 1600 x P/D 1900  
L/W 1600 x P/D 2000

L/W 1800 x P/D 2000

Queen size L/W 1530 x P/D 2030  
King size L/W 1930 x P/D 2030

Ingombro / mm

L/W 1980 x P/D 2109  
L/W 1980 x P/D 2209

L/W 2050 x P/D 2109  
L/W 2050 x P/D 2209

L/W 2250 x P/D 2209

L/W 1980 x P/D 2239  
L/W 2380 x P/D 2239

## IMBOTTITO CON CORNICE



Predisposto per materasso / mm

L/W 1500 x P/D 1900  
L/W 1500 x P/D 2000

L/W 1600 x P/D 1900  
L/W 1600 x P/D 2000

L/W 1800 x P/D 2000

Queen size L/W 1530 x P/D 2030  
King size L/W 1930 x P/D 2030

Ingombro / mm

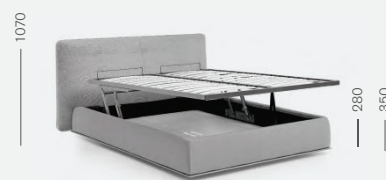
L/W 1980 x P/D 2109  
L/W 1980 x P/D 2209

L/W 2050 x P/D 2109  
L/W 2050 x P/D 2209

L/W 2250 x P/D 2209

L/W 1980 x P/D 2239  
L/W 2380 x P/D 2239

## CONTENITORE CON CORNICE



Predisposto per materasso / mm

L/W 1500 x P/D 1900  
L/W 1500 x P/D 2000

L/W 1600 x P/D 1900  
L/W 1600 x P/D 2000

L/W 1800 x P/D 2000

Queen size L/W 1530 x P/D 2030  
King size L/W 1930 x P/D 2030

Ingombro / mm

L/W 2050 x P/D 2109  
L/W 2050 x P/D 2209

L/W 2250 x P/D 2209

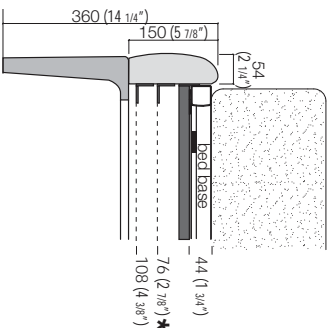
## Gaston with base support



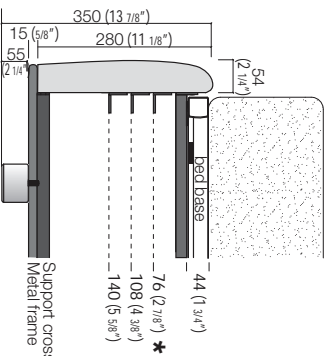
### FEATURES

MATERIALS	Headboard
Bed frame	Structure in *Wood or derivatives coated with polyurethane foam qith differentiated quotes with pre cover in polyester wadding. Removable fabric, ecolleather and Leather cover packed with a longitudinal stitching next to the rounded unit. Leather cover with headboard back in technical canvas available, with surcharge, also with the same finish as the front.
Base support and frame	Structure, also for storage unit, in *Wood or derivatives coated with polyurethane foam with differentiated quotes with pre cover in polyester wadding. Tapered in height, with removable fabric. Ecolleather and Leather cover. Extruded aluminium with die-cast aluminium. *Wood and derivatives components according to the following standards: EPA TSCA TITLE VI.

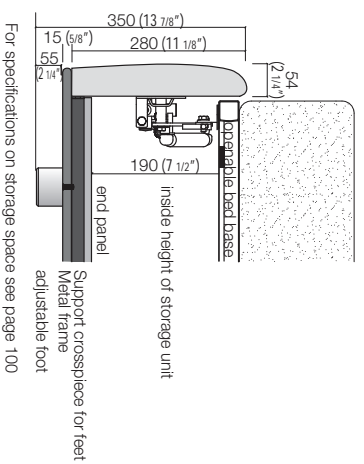
Bed frame section H 5 7/8" with METAL BASE SUPPORT



Bed frame section H 11 1/8" with METAL FRAME



Bed frame section H 11 1/8" with METAL FRAME and STORAGE UNIT



\* Positions of height adjustable bed base supports for built-in anatomical bed bases or mattresses

# Gaston Plano



Letto con testata e giroletto, anche per contenitore, in legno e derivati imbottiti con poliuretano espanso a quote differenziate con pre-rivestimento in ovatta di poliestere. Rivestimento sfoderabile in tessuto, ecopelle e pelle. Testata confezionata con una cucitura longitudinale in corrispondenza delle bombature. Rivestimento in pelle con retro testiera in tela tecnica disponibile anche con la stessa finitura della parte frontale. Giroletto squadrato con cucitura perimetrale.

Letto con testata e giroletto, anche per contenitore, in legno e derivati imbottiti con poliuretano espanso a quote differenziate con pre-rivestimento in ovatta di poliestere. Rivestimento sfoderabile in tessuto, ecopelle e pelle. Testata confezionata con una cucitura longitudinale in corrispondenza delle bombature. Rivestimento in pelle con retro testiera in tela tecnica disponibile anche con la stessa finitura della parte frontale. Giroletto squadrato con cucitura perimetrale.

## PIEDI IN METACRILATO

1045



Predisposto per materasso / mm

L/W 1500 x P/D 1900  
L/W 1500 x P/D 2000

L/W 1600 x P/D 1900  
L/W 1600 x P/D 2000

L/W 1800 x P/D 2000  
L/W 1800 x P/D 2100

Queen size L/W 1530 x P/D 2030  
King size L/W 1930 x P/D 2030

Ingombro / mm

L/W 1980 x P/D 2100  
L/W 1980 x P/D 2200

L/W 2050 x P/D 2100  
L/W 2050 x P/D 2200

L/W 2250 x P/D 2200  
L/W 2250 x P/D 2300

L/W 1980 x P/D 2230  
L/W 2380 x P/D 2230

## PIEDE -X- IN METALLO

1045



Predisposto per materasso / mm

L/W 1500 x P/D 1900  
L/W 1500 x P/D 2000

L/W 1600 x P/D 1900  
L/W 1600 x P/D 2000

L/W 1800 x P/D 2000  
L/W 1800 x P/D 2100

Queen size L/W 1530 x P/D 2030  
King size L/W 1930 x P/D 2030

Ingombro / mm

L/W 1980 x P/D 2100  
L/W 1980 x P/D 2200

L/W 2050 x P/D 2100  
L/W 2050 x P/D 2200

L/W 2250 x P/D 2200  
L/W 2250 x P/D 2300

L/W 1980 x P/D 2230  
L/W 2380 x P/D 2230

## IMBOTTITO A TERRA

1045



Predisposto per materasso / mm

L/W 1500 x P/D 1900  
L/W 1500 x P/D 2000

L/W 1600 x P/D 1900  
L/W 1600 x P/D 2000

L/W 1800 x P/D 2000

Queen size L/W 1530 x P/D 2030  
King size L/W 1930 x P/D 2030

Ingombro / mm

L/W 1980 x P/D 2100  
L/W 1980 x P/D 2200

L/W 2050 x P/D 2100  
L/W 2050 x P/D 2200

L/W 2250 x P/D 2200

L/W 1980 x P/D 2230  
L/W 2380 x P/D 2230

## CONTENITORE

1045



Predisposto per materasso / mm

L/W 1600 x P/D 1900  
L/W 1600 x P/D 2000

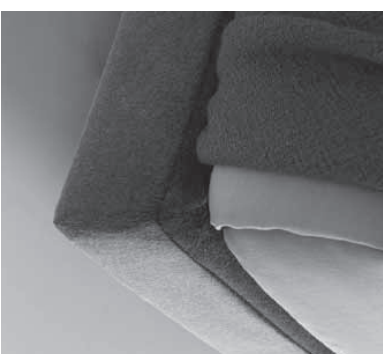
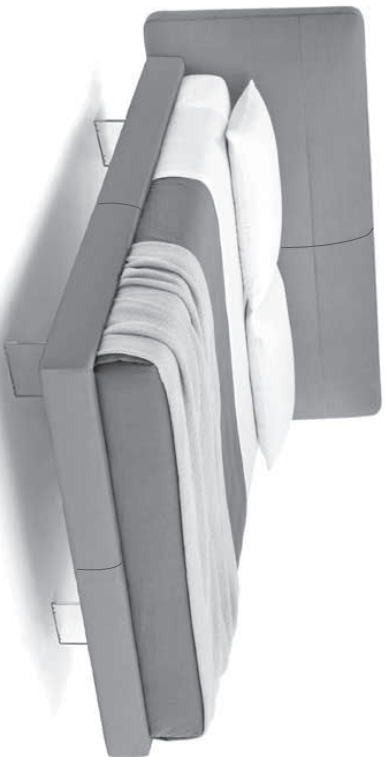
L/W 1800 x P/D 2000

Ingombro / mm

L/W 2050 x P/D 2100  
L/W 2050 x P/D 2200

L/W 2250 x P/D 2200

# Gaston Plano



## FEATURES

### MATERIALS

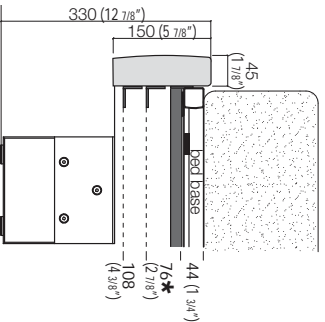
Headboard  
Bed frame

Structure in \*Wood or derivatives coated with polyurethane foam with differentiated quotes with pre cover in polyester wadding. Removable fabric, ecolleather and Leather cover packed with a longitudinal stitching next to the rounded unit. Leather cover with headboard back in technical canvass available, with surcharge, also with the same finish as the front.

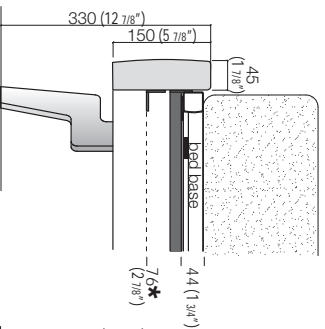
Structure, also for storage unit, in \*Wood or derivatives coated with polyurethane foam with differentiated quotes with pre cover in polyester wadding. Square with perimeter stitching and removable fabric, Ecolleather and Leather cover.

\*Wood and derivatives components according to the following standards: EPA TSCA TITLE VI.

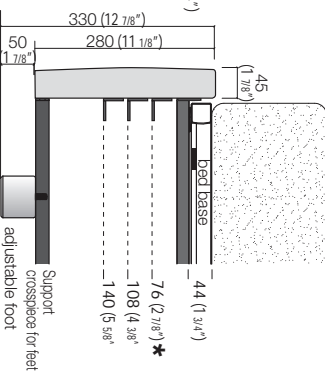
Bed frame section H 5 7/8"  
WITH FOOT -M- METHACRYLATE



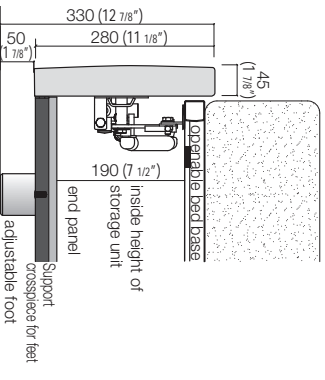
Bed frame section H 5 7/8"  
WITH FOOT -X- IN SHAPED METAL



Bed frame section H 11 1/8"



Bed frame section H 11 1/8"  
with STORAGE UNIT



For specifications on storage space see page 100



\* Positions of height adjustable bed base supports for built-in anatomical bed bases or mattresses