

Storage units **Incontro**

Modularity

MODULARITY WITH SUPERIMPOSED TOP

heights

Feet H 5/8"
Sospendo base support H 3 1/4" - H 4 3/4" - H 7 1/8"

| | | | | |
|-----------------------------|---------------|---------------|----------------|----------------|
| WITH top 655 (25 7/8") | 815 (32 1/8") | 975 (38 1/2") | 1135 (44 3/4") | 1215 (47 7/8") |
| with cover 640 (25 1/4") | 800 (31 1/2") | 960 (37 7/8") | 1120 (44 1/8") | 1200 (47 1/4") |

15 (5/8") =

depths

| | | | | |
|---------------|---------------|---------------|---------------|---------------|
| 465 (18 3/8") | 465 (18 3/8") | 465 (18 3/8") | 465 (18 3/8") | 465 (18 3/8") |
| 561 (22 1/8") | | | | |

widths

| | | | | |
|----------------|----------------|----------------|----------------|----------------|
| 1500 (59 1/8") | 1950 (76 7/8") | 1350 (53 1/4") | 1050 (41 3/8") | 1350 (53 1/4") |
| 1800 (70 7/8") | 2250 (88 5/8") | 1800 (70 7/8") | | |
| 2100 (82 3/4") | | 2250 (88 5/8") | | |
| 2250 (88 5/8") | | | | |
| 2400 (94 1/2") | | | | |

MODULARITY WITH FRAME 3 AND 4 SIDES

heights

Feet H 5/8"
Sospendo base support H 3 1/4" - H 4 3/4" - H 7 1/8"

| | | | | |
|---------------|---------------|---------------|---------------|----------------|
| 350 (13 7/8") | 430 (16 7/8") | 510 (20 1/8") | 670 (26 3/8") | 1005 (39 5/8") |
| 320 (12 5/8") | 400 (15 3/4") | 480 (18 7/8") | 640 (25 1/4") | 960 (37 7/8") |

15 (5/8") =

15 (5/8") =

depths

| | | | | |
|---------------|---------------|---------------|---------------|---------------|
| 465 (18 3/8") | 465 (18 3/8") | 465 (18 3/8") | 465 (18 3/8") | 465 (18 3/8") |
| 561 (22 1/8") | 561 (22 1/8") | 561 (22 1/8") | 561 (22 1/8") | |

widths

| | | | | |
|-----------------|----------------|----------------|----------------|----------------|
| 2430 (95 3/4") | 2430 (95 3/4") | 2430 (95 3/4") | 1530 (60 1/4") | 2130 (83 7/8") |
| 2730 (107 1/2") | | | 1830 (72 1/8") | |
| 3030 (119 3/8") | | | 2130 (83 7/8") | |
| | | | 2430 (95 3/4") | |

15 (5/8") =

15 (5/8") =

depths

| | | | | |
|---------------|---------------|---------------|---------------|---------------|
| 465 (18 3/8") | 465 (18 3/8") | 465 (18 3/8") | 465 (18 3/8") | 465 (18 3/8") |
| 561 (22 1/8") | 561 (22 1/8") | 561 (22 1/8") | 561 (22 1/8") | |

widths

| | | | | |
|-----------------|----------------|----------------|----------------|----------------|
| 2415 (95 1/8") | 2415 (95 1/8") | 2415 (95 1/8") | 1515 (59 3/4") | 2115 (83 3/8") |
| 2715 (106 7/8") | | | 1815 (71 1/2") | |
| 3015 (118 3/4") | | | 2115 (83 3/8") | |
| | | | 2415 (95 1/8") | |

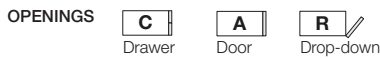
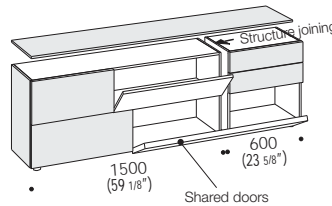
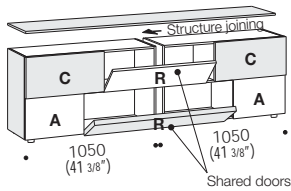
INCONTRO

Incontro sideboards are made up of standard Lampo units with 7/8" or 1 3/8" thick fronts or composed with PUSH-PULL MODULAR OPENING. Units and fronts are also combined with different finishes and types. The types of opening available are shown with a code next to the fronts.

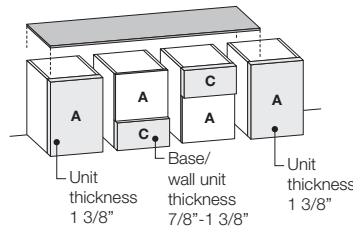
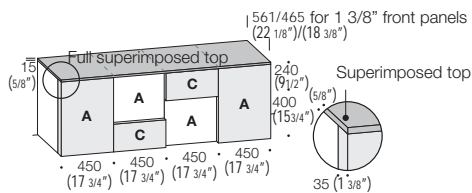
Storage units **Incontro**

STRUCTURAL FEATURES

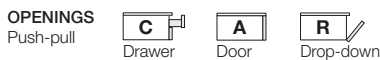
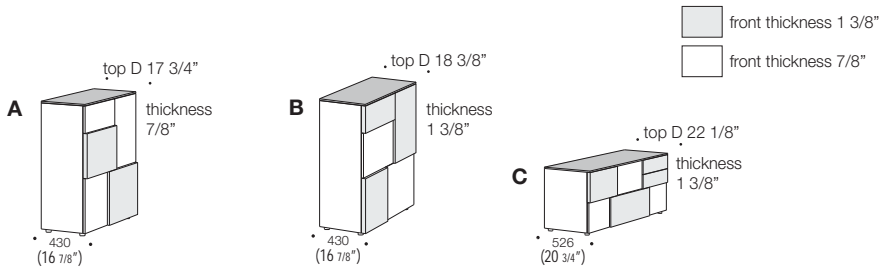
Sideboards W 82 3/4" are supplied with two structures for assembly together, while the shared doors are supplied separately, disassembled.



SIDEBOARDS WITH SUPERIMPOSED FULL TOP



The depth of sideboards with full superimposed tops depends on the thickness of the front panels at the cover (see drawing A/B). Side front panels at the full superimposed top must always have the same thickness (see drawing C).



Hanging units Depth 18 3/8"

BASE UNITS

| Types | Depth 18 3/8"-22 1/8" | | | |
|---------------------------------|-----------------------|----------|----------|----------|
| | H 5/8" | H 3 1/4" | H 4 3/4" | H 7 1/8" |
| P -Floor-standing foot | P1 | | | |
| M -Methacrylate Sospendo | | M1 | M2 | |
| C -Cylindrical Sospendo | | | C2 | C3 |
| S -Shaped Sospendo | | | S1 | |

Depth 19 1/8"

With external lighting with back panel

Depth 19 1/8"-22 7/8"

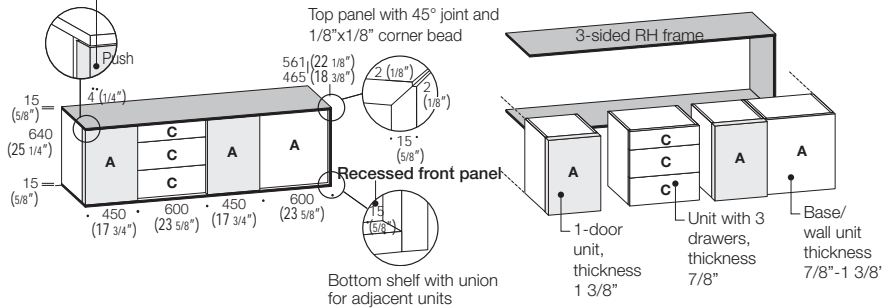
With external lighting with illuminated profile

Storage units **Incontro**

STRUCTURAL FEATURES

Sideboards with 3-sided frame

With a 3-SIDED frame, the end unit with visible side panel must always have a 1 3/8" flush front panel



OPENINGS
Push-pull



Hanging units

Depth 19 1/8"
see page 208

Types

BASE UNITS

Depth 18 3/8"-22 1/8"

| Types | H 5/8" | H 3 1/4" | H 4 3/4" | H 7 1/8" |
|-------------------------|-----------|-------------|-------------|-------------|
| P-Floor-standing foot | P1 | | | |
| M-Methacrylate Sospendo | | M1 | M2 | |
| C-Cylindrical Sospendo | | | C2 | C3 |
| S-Shaped Sospendo | | | S1 | |

Depth 19 1/8"

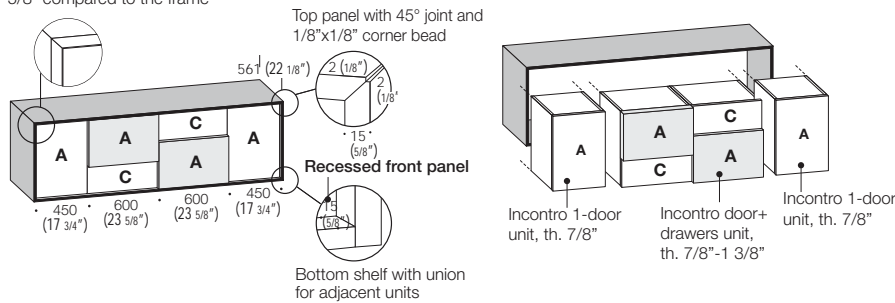
With external lighting with back panel

Depth 19 1/8"-22 7/8"

With external lighting with illuminated profile with back panel

SIDEBOARDS WITH 4-SIDED FRAME

Front th 7/8" recessed of 5/8" compared to the frame



OPENINGS
Push-pull



Hanging units

Depth 19 1/8"
see page 209

BASE UNITS

Depth 18 3/8"-22 1/8"

| Types | H 5/8" | H 3 1/4" | H 4 3/4" | H 7 1/8" |
|-------------------------|-----------|-------------|-------------|-------------|
| P-Floor-standing foot | P1 | | | |
| M-Methacrylate Sospendo | | M1 | M2 | |
| C-Cylindrical Sospendo | | | C2 | C3 |
| S-Shaped Sospendo | | | S1 | |

Depth 19 1/8"

With external lighting with back panel

Depth 19 1/8"-22 7/8"

With external lighting with illuminated profile