

Double-sided drop-down units with adjustable ROTO TV mount

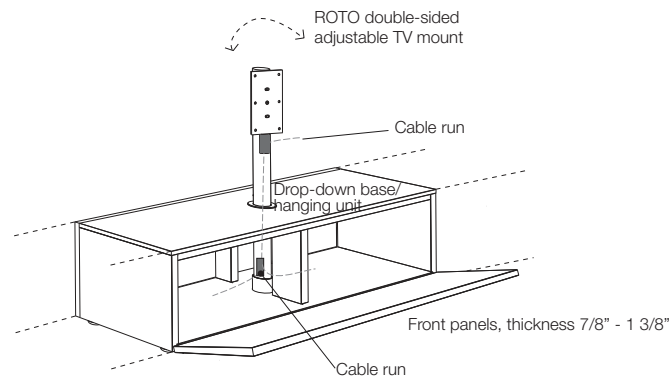
Special units

Cylindrical metal mount with internal cable run.
The mount is fitted to a drop-down unit and allows the TV to be rotated.

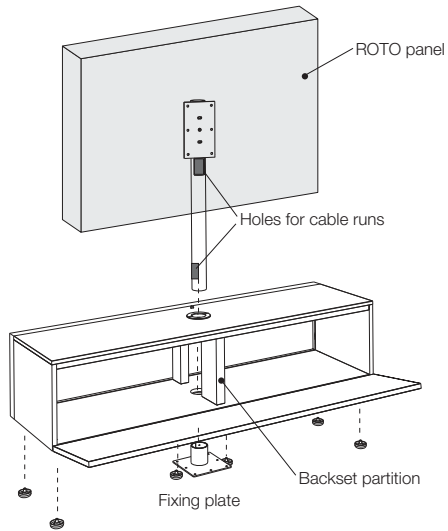
Unit with drop-down door with dimensions: W 47 1/4"-59 1/8"-70 7/8" H 9 1/2"-12 5/8" and depth 18 5/8"-22 3/8" - 19 3/4"-23 1/2"

Finishes: Brown varnished metal

drawing 1



DRAWING 2



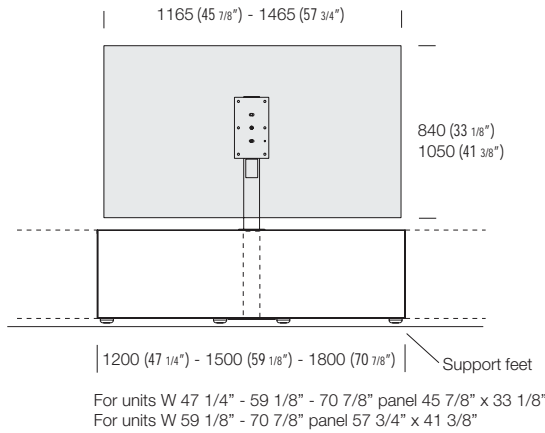
Type of drop-down unit:

- With finished or modular cover (minimal profile opening)
- For superimposed top, thickness 5/8" (push pull/Lampo handle opening)

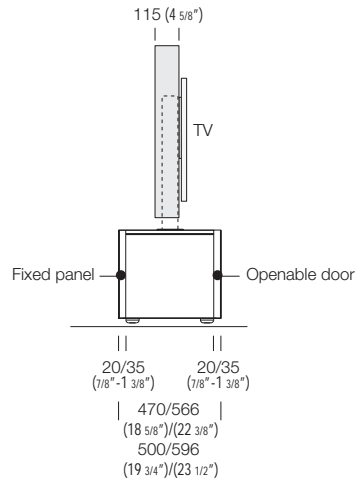
Double-sided drop-down units with adjustable ROTO TV mount

Special units

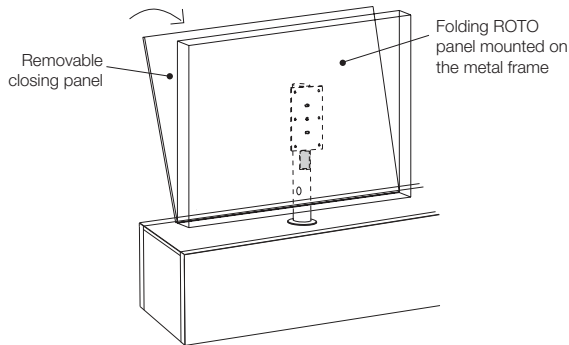
Floor-standing base unit with feet



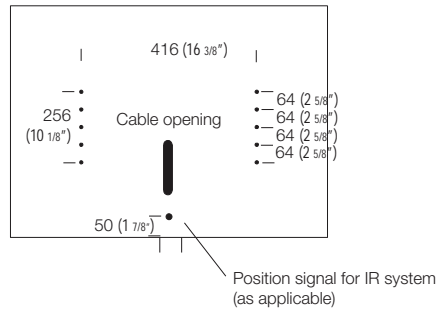
Double-sided base



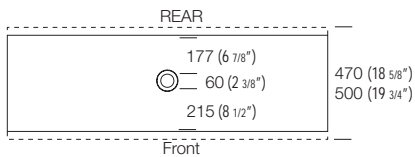
Double-sided ROTO units are always delivered with finishing back panel in the same thickness as the fronts.



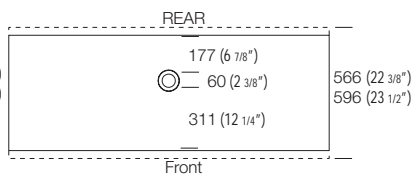
ROTO panel holes for VESA brackets



Depth 18 5/8" - 19 3/4"



Depth 22 3/8" - 23 1/2"



The ROTO panel rotates by up to 240°

