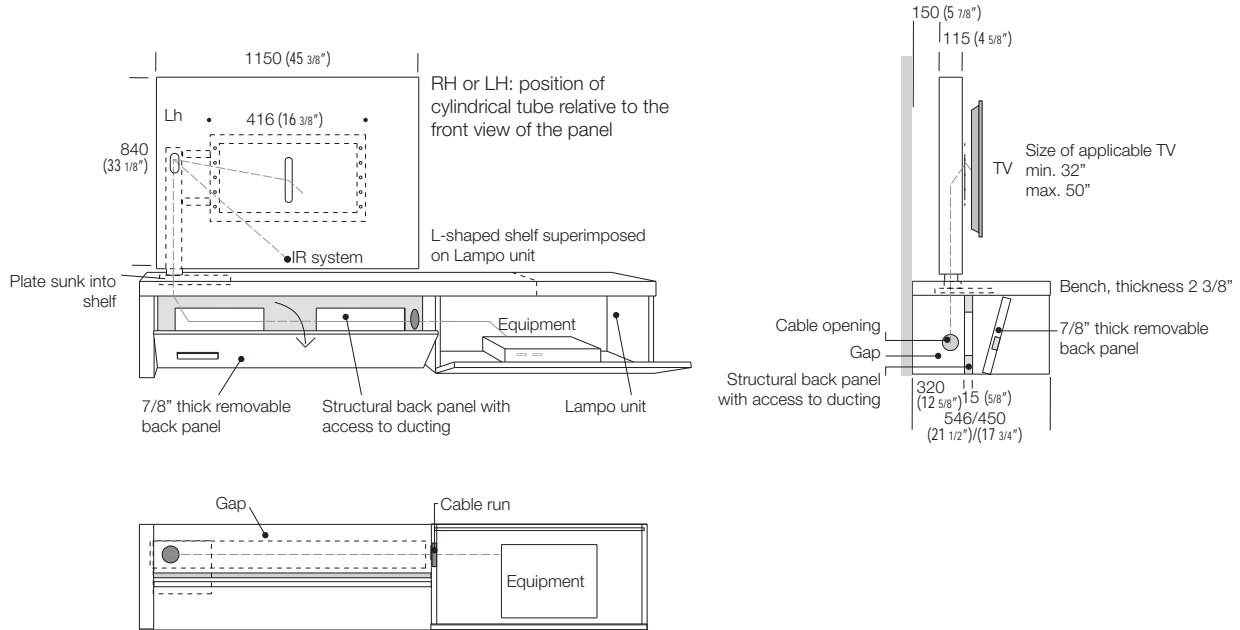


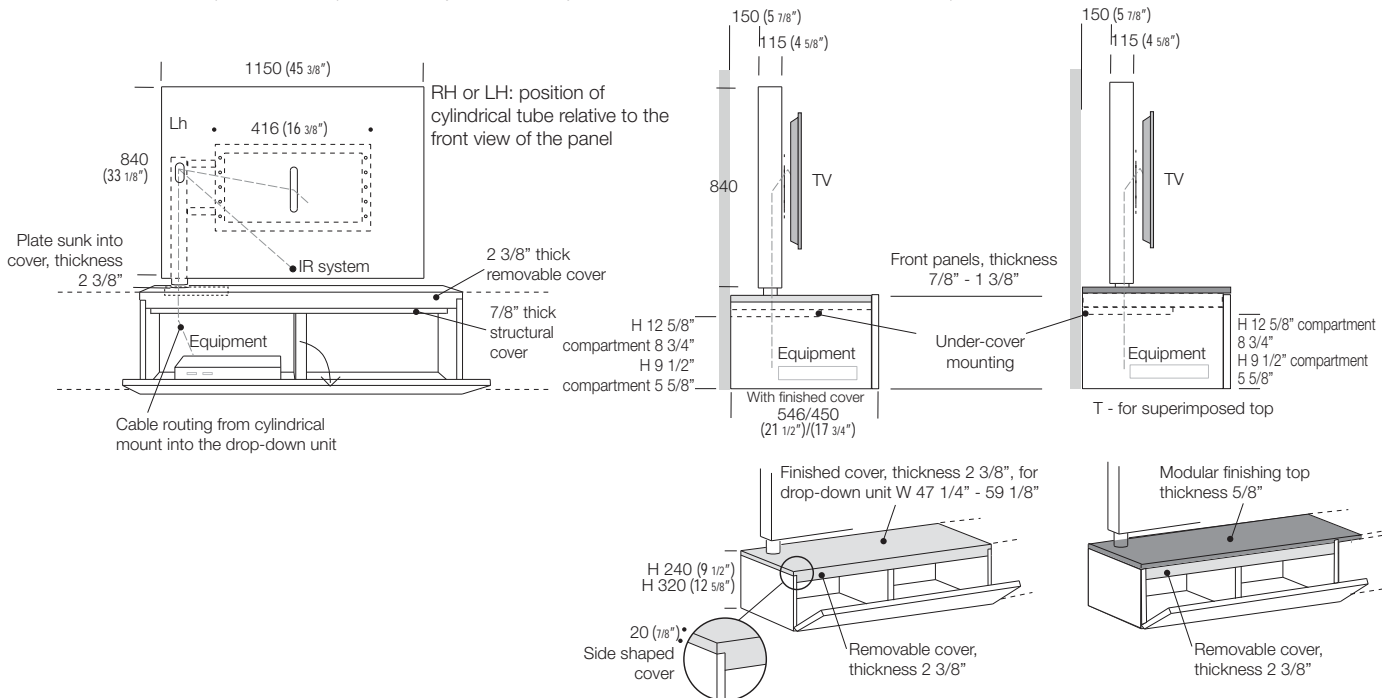
Adjustable VISION panel for TV

VISION panel on bench

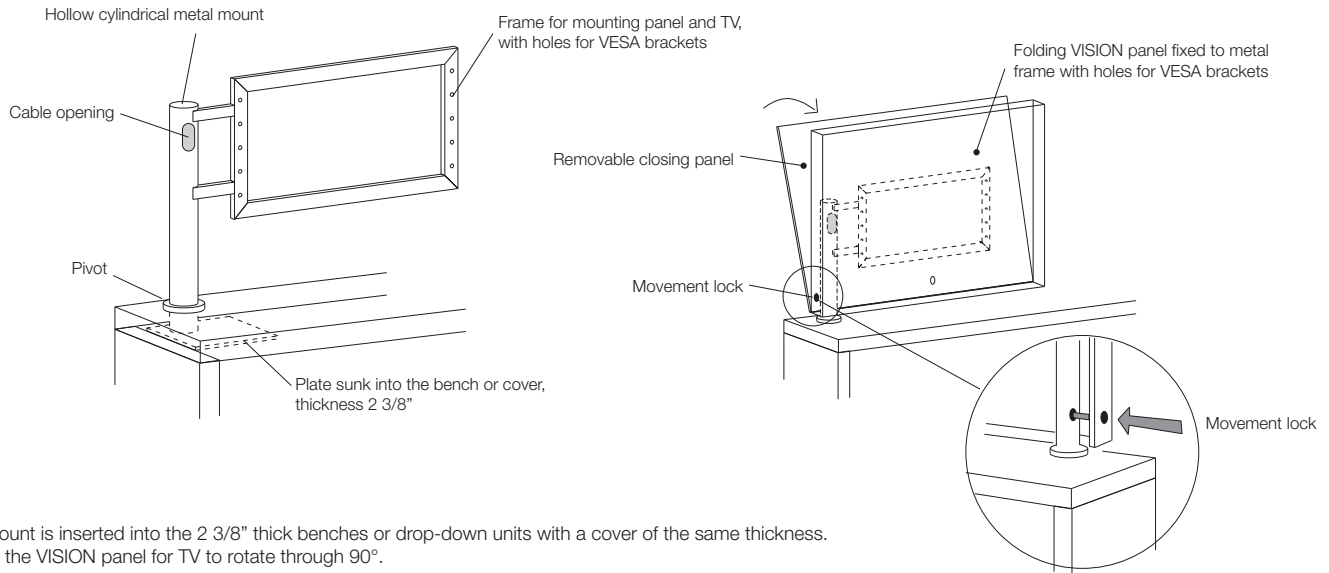


VISION panel on drop-down base, D 21 1/2" - 17 3/4"

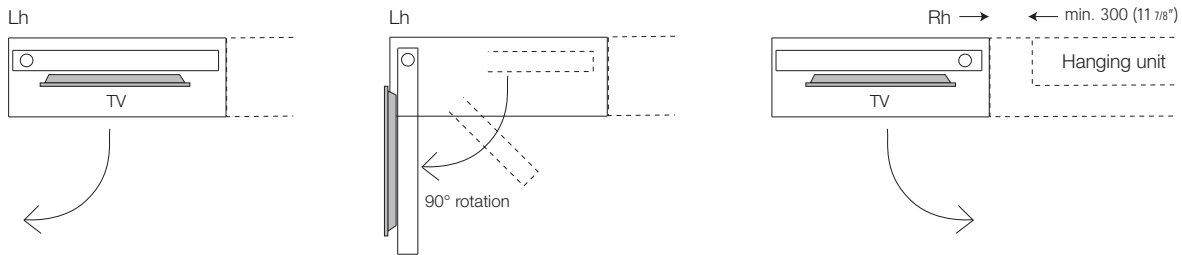
CAUTION: the unit with Vision panel cannot be positioned freely but must be adjacent to and fixed to other units so that it does not tip over.



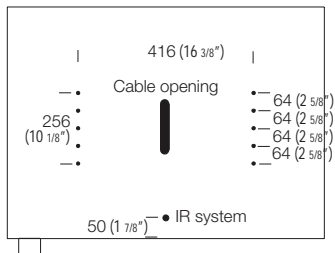
Adjustable VISION panel for TV



The mount is inserted into the 2 3/8" thick benches or drop-down units with a cover of the same thickness. Allows the VISION panel for TV to rotate through 90°.



VISION panel holes for VESA brackets



Position of VISION panel relative to drop-down base

