



Letto con testata e giroletto, anche per contenitore, in legno e derivati imbottiti con poliuretano espanso a quote differenziate con pre-rivestimento in ovatta di poliestere. Rivestimento sfoderabile in tessuto o fisso in ecopelle e pelle. Rivestimento in pelle con retro testiera in tela tecnica disponibile anche con la stessa finitura della parte frontale. Cornice per testata e piattine dei piedi anteriori in acciaio sagomato con taglio a laser e rivestito sulle facce a vista con piallaccio di Rovere e Noce o completamente verniciato metallo.

Letto con testata e giroletto, anche per contenitore, in legno e derivati imbottiti con poliuretano espanso a quote differenziate con pre-rivestimento in ovatta di poliestere. Rivestimento sfoderabile in tessuto o fisso in ecopelle e pelle. Rivestimento in pelle con retro testiera in tela tecnica disponibile anche con la stessa finitura della parte frontale. Cornice per testata e piattine dei piedi anteriori in acciaio sagomato con taglio a laser e rivestito sulle facce a vista con piallaccio di Rovere e Noce o completamente verniciato metallo.

PIEDE -P- LEGNO

970



180
830

Predisposto per materasso / mm

L/W 1500 x P/D 1900
L/W 1500 x P/D 2000

L/W 1600 x P/D 1900
L/W 1600 x P/D 2000

L/W 1800 x P/D 2000
L/W 1800 x P/D 2100

Queen size L/W 1530 x P/D 2030
King size L/W 1930 x P/D 2030

Ingombro / mm

L/W 1672 x P/D 2144
L/W 1672 x P/D 2244

L/W 1742 x P/D 2144
L/W 1742 x P/D 2244

L/W 1942 x P/D 2244
L/W 1942 x P/D 2344

L/W 1672 x P/D 2274
L/W 2072 x P/D 2274

IMBOTTITO A TERRA

970



830

Predisposto per materasso / mm

L/W 1500 x P/D 1900
L/W 1500 x P/D 2000

L/W 1600 x P/D 1900
L/W 1600 x P/D 2000

L/W 1800 x P/D 2000
L/W 1800 x P/D 2100

Queen size L/W 1530 x P/D 2030
King size L/W 1930 x P/D 2030

Ingombro / mm

L/W 1672 x P/D 2144
L/W 1672 x P/D 2244

L/W 1742 x P/D 2144
L/W 1742 x P/D 2244

L/W 1942 x P/D 2244
L/W 1942 x P/D 2344

L/W 1672 x P/D 2274
L/W 2072 x P/D 2274

CONTENITORE

970



830

Predisposto per materasso / mm

L/W 1600 x P/D 1900
L/W 1600 x P/D 2000

L/W 1800 x P/D 2000

Ingombro / mm

L/W 1742 x P/D 2144
L/W 1742 x P/D 2244

L/W 1942 x P/D 2244

Decor



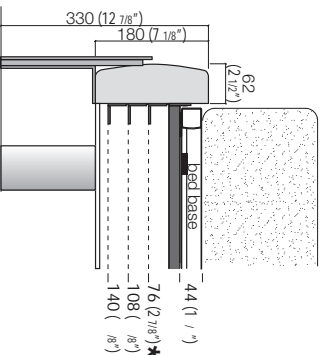
FEATURES

MATERIALS

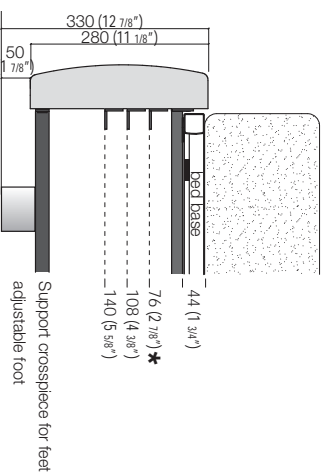
| | |
|--------------------------------|---|
| Headboard | Structure in *Wood or derivatives coated with polyurethane foam with differentiated quotes with pre cover in polyester wadding. Removable fabric cover and not removable Ecoleather and Leather cover. Leather cover with headboard back retro in technical canvas available, with curcharge, also with the same finish as the front. |
| Bed frame | Structure, also for storage unit, in *Wood or derivatives coated with polyurethane foam with differentiated quotes with pre cover in polyester wadding. Removable fabric. Ecoleather, Leather cover. |
| Headboard frame and front feet | In laser-cut steel, shaped and covered on visible parts with veneered Oak or Walnut or completely metal painted. Each foot comprises two coupled plates: the external one can be pulled out so that the bed frame cover can be removed. Also the headboard frame can be easily disassembled to allow the same operation. |

*Wood and derivatives components according to the following standards: EPA TSCA TITLE VI.

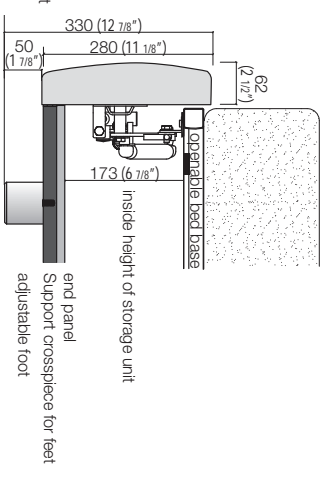
Bed frame section H 7 1/8"
with METAL FOOT



Bed frame section H 11 1/8"



Bed frame section H 11 1/8"
with STORAGE UNIT



For specifications on storage space see page 100



* Positions of height adjustable bed base supports for built-in anatomical bed bases or mattresses