



The OLO XL reimagines the classic OLO model with its bold, hollow lampshade that combines circles and lines to create a luminous canvas. Its larger head, equipped with an integrated LED, provides glare-free illumination that fosters a tranquil atmosphere.

With its expanded size and innovative design, the OLO XL encourages creative expression. Whether directing light upwards or downwards, this version is crafted to enhance a variety of spaces with both thoughtful design and practical functionality, offering endless opportunities for enjoyment and inspiration.

By Li, Hui Lun 李慧倫

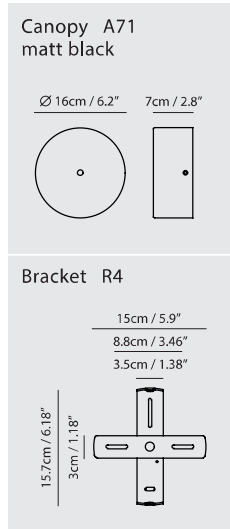
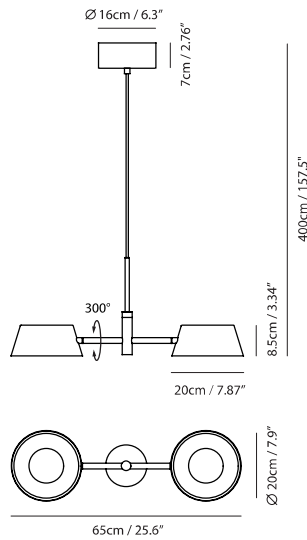


matt black



champagne gold + matt black

Measurement : centimeter / inches



OLO XL Pendant P2

Model
SLD-132P2

Material
steel, PP

Light Source
LED 2 x 14W CRI 90 3000K 1960lm

Feature
built-in dimmable driver

Weight
2.3kg / 5.1lb

Color

- matt black
- champagne gold + matt black

