

LINEA™ SHELVES

BDI



LINEA™ SHELVES

DESIGN **MATTHEW WEATHERLY**

Whether fitting perfectly into the smallest nook or spanning a library to create a complete wall system, Linea Shelves offer a versatile storage solution. Featuring floating glass display shelves above and enclosed storage below, shelves are available in single or double widths. Select an individual shelf, a preconfigured system, or customize your perfect Linea solution by adding on extension shelves as needed.

DIMENSIONS: Height: 83.75 in | 213 cm ■ Depth: 14 in | 36 cm



5801 SINGLE SHELF

Width 18.25 in | 46 cm
Weight 122 lbs | 55.5 kg



5802 DOUBLE SHELF

Width 33 in | 83.5 cm
Weight 175 lbs | 80 kg



SYSTEM **580012**

Width 49.75 in | 126 cm
Weight 291 lbs | 132 kg



SYSTEM **580022**

Width 64.5 in | 163.5 cm
Weight 346 lbs | 157 kg



SYSTEM **580121**

Width 66.25 in | 168 cm
Weight 401 lbs | 182 kg



System 580012 in Charcoal Stained Ash



SYSTEM **580212**

Width 81 in | 205.5 cm
 Weight 429 lbs | 195 kg



SYSTEM **580222**

Width 96 in | 243.5 cm
 Weight 511 lbs | 232 kg



Linea Shelves provide a perfect combination of open display space and enclosed storage



Soft-close doors conceal an adjustable glass shelf



A wire routing channel in the lower cabinet allows placement of concealed small electronics



Linea makes a striking room divider, secured to a wall at one end with the supplied mounting hardware

CUSTOMIZE YOUR LINEA SYSTEM

Create a Linea System of practically any size by adding on a single or double shelf. Extension kits 5801A and 5802A include a divider panel that will insert into any configuration to extend a Linea Shelf to fill any space.

DIVIDER



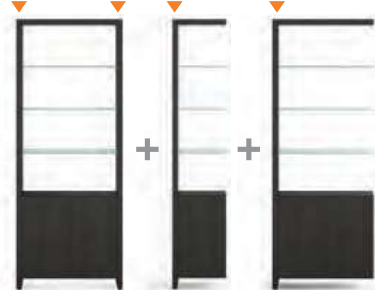
5801A SINGLE SHELF EXTENSION

DIVIDER



5802A DOUBLE SHELF EXTENSION

END END DIVIDER DIVIDER



5802

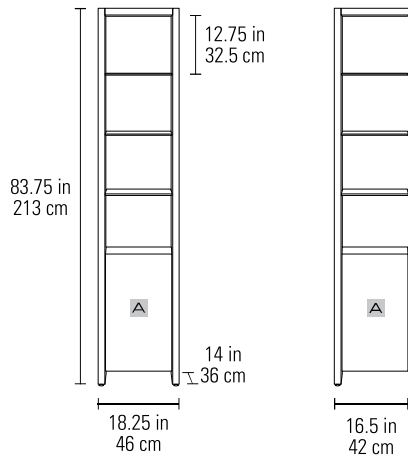
5801A

5802A

END DIVIDER END



SPECIFICATIONS

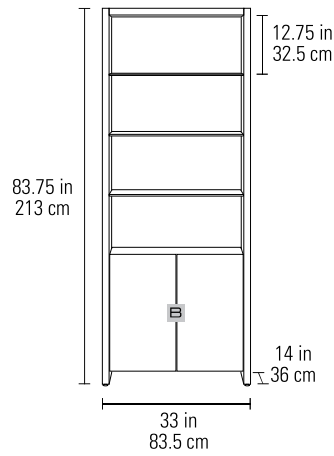


5801 SINGLE SHELF

Width 18.25 in | 46 cm
Weight 122 lbs | 55.5 kg

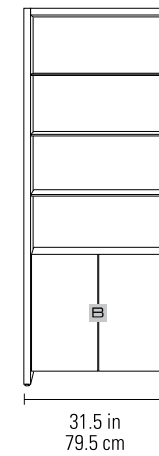
5801A SINGLE SHELF EXTENSION

Width 16.5 in | 42 cm
Weight 94 lbs | 42.5 kg



5802 DOUBLE SHELF

Width 33 in | 83.5 cm
Weight 175 lbs | 80 kg



5802A DOUBLE SHELF EXTENSION

Width 31.5 in | 79.5 cm
Weight 147 lbs | 67 kg

Dimensions

Height 83.75 in | 213 cm
Depth 14 in | 36 cm

Shelf Width

Single 14.75 in | 37.5 cm
Double 29.5 in | 75 cm

Shelf Depth 13.75 in | 35 cm

Shelf Clearance 12.75 in | 32.5 cm

Shelf Capacity 100 lbs | 45 kg

A Single Compartment

Dimensions 24H x 13.5 x 12.25 in
61H x 34 x 31 cm

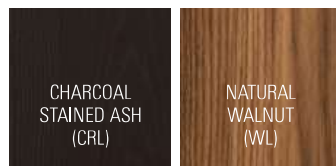
B Double Compartment

Dimensions 24H x 28.25 x 12.25 in
61H x 71.5 x 31 cm

Adjustable Shelf Increments 2.5 in | 64 mm; 3 positions

Adjustable Shelf Capacity 50 lbs | 23 kg

Bottom Shelf Capacity 50 lbs | 23 kg





BDI's products are packaged with recyclable materials. Dimensions, specifications, and availability are subject to change. For current specifications and availability, visit www.bdiusa.com. Listed capacities assume even distribution of weight. BDI's designs are protected by US and international patents, trade dress, and/or copyright laws. "Linea" and BDI are trademarks of Becker Designed Inc. All rights reserved. ©2025, BDI